



**Installation, Configuration & User Manual**

**for**

**iZone 220 & iZone 320**

# Table of contents

Section	Description	Page No.
<b>1.0 Installation</b>		<b>6</b>
1.1	iZone 220—Wiring layout for base system up to 8 zones	6
1.2	iZone 220—Wiring layout for base system up to 9 to 14 zones	7
1.3	Stand alone VAV system for a typical 4 zone system	8
1.4	iZone 320—Wiring layout for base system up to 8 zones	9
1.5	iZone 320—Wiring layout for base system up to 9 to 14 zones	10
1.6	Optional equipment for wireless temperature controlled zones	11
1.7	Optional equipment for wired temperature sensors	12
1.8	Optional equipment for iSense temperature and occupancy controlled zones	13
1.9	Optional equipment for colour touch screen temperature controlled zones	14
1.10	Example of different types of temperature sensors and controllers on a single system	15
1.11	Option equipment for wired WiFi control of system	16
1.12	Option equipment for wireless WiFi control of system	17
1.13	iZone 320—Optional equipment for iSave addition (up to 6 zones)	18
1.14	iZone 320—Optional equipment for iSave addition (7 to 12 zones)	19
1.15	iZone 320—Optional equipment for Ethernet Home Automation connection	20
1.16	iZone 320—Wiring connection to AC units	21
1.17	iZone 320—Wiring connection to LG units	22
1.18	iZone 320—Wiring connection to Temperzone units	23
1.19	General installation instructions	24

# Table of contents

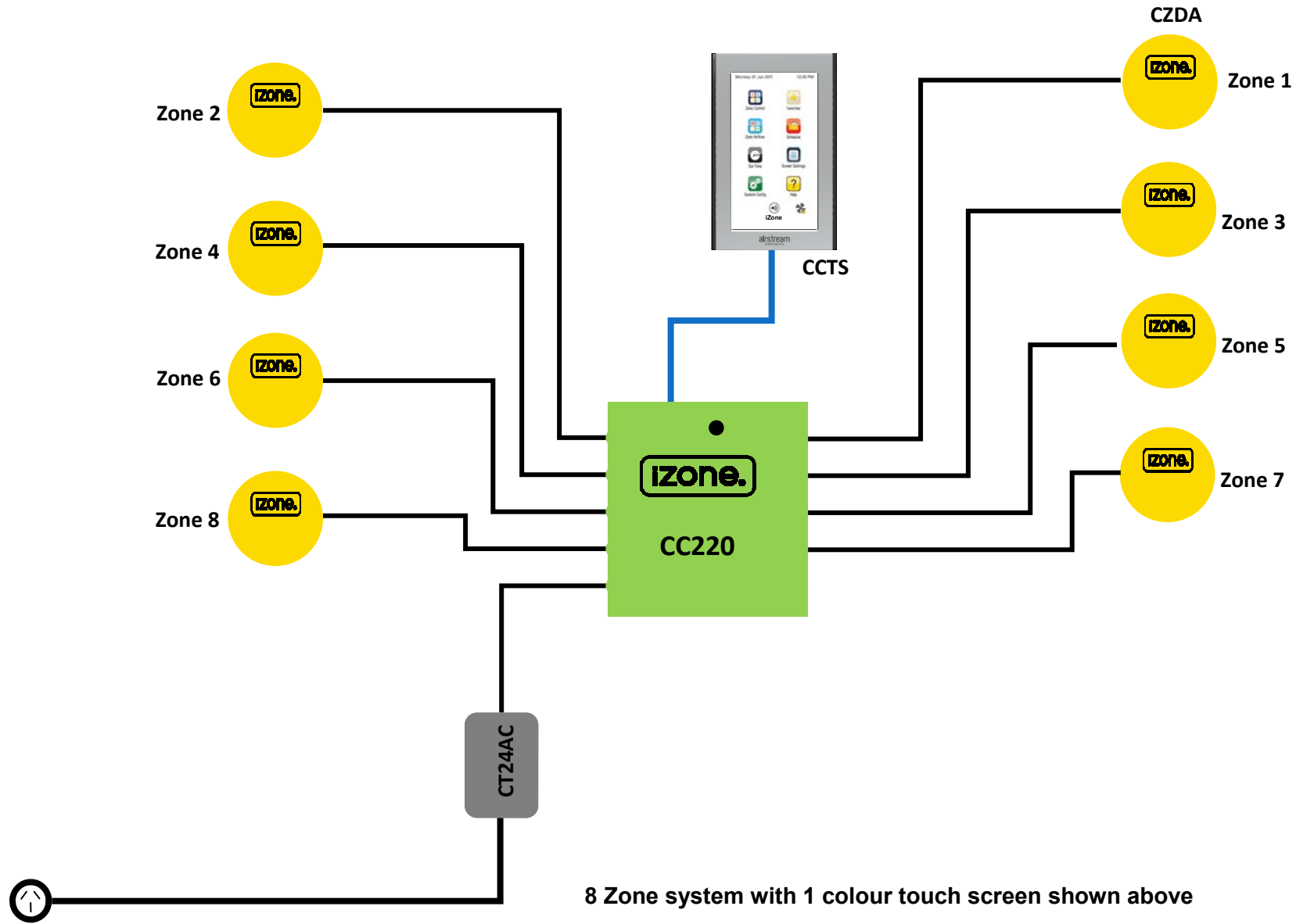
Section	Description	Page No.
<b>2.0</b>	<b>System initialisation</b>	<b>25</b>
2.1	During initialisation	26
<b>3.0</b>	<b>System Configuration</b>	<b>27</b>
3.1	Configuration main menu	28
3.2	Zone setup	29-30
3.2.1	Sensor configuration	31
3.2.2	Pairing and configuring iZone RF sensors	32
3.2.3	Sensor calibration	33
3.2.4	iSense controller configuration	34
3.3	AC unit configuration (iZone 320 only)	35
3.3.1	Fan auto configuration	36
3.3.2	Fan auto zone area setup	37
3.4	System options (Display, Taglines, Filter Maintenance, Locks)	38-39
3.5	WiFi bridge configuration	40
3.5.1	Manual IP configuration	41
3.5.2	WiFi connection	42
3.5.3	Smart phone, tablet and PC configuration	43-45
3.6	Home automation integration	46

# Table of contents

Section	Description	Page No.
<b>4.0</b>	<b>User Manual</b>	<b>47</b>
4.1	iZone 220 home screen	47
4.2	iZone 320 home screen	48
4.3	iZone 320 AC unit control	49
4.4	Zone control	50
4.5	Edit zone names and settings	51
4.6	Adjusting temperature controlled zones	52
4.7	Zone airflow summary	53
4.8	Changing zone airflows	54
4.9	Favourites	55
4.10	Assigning and editing favourites	56
4.11	Schedules	57
4.12	Setting and editing a schedule	58
4.13	Setting the time	59
4.14	Changing the home screen colour	60
4.15	iSense controller	61
4.16	Warranty registration	62
4.17	Airstream product warranty policy	63
4.18	Further assistance	64

Blank Page

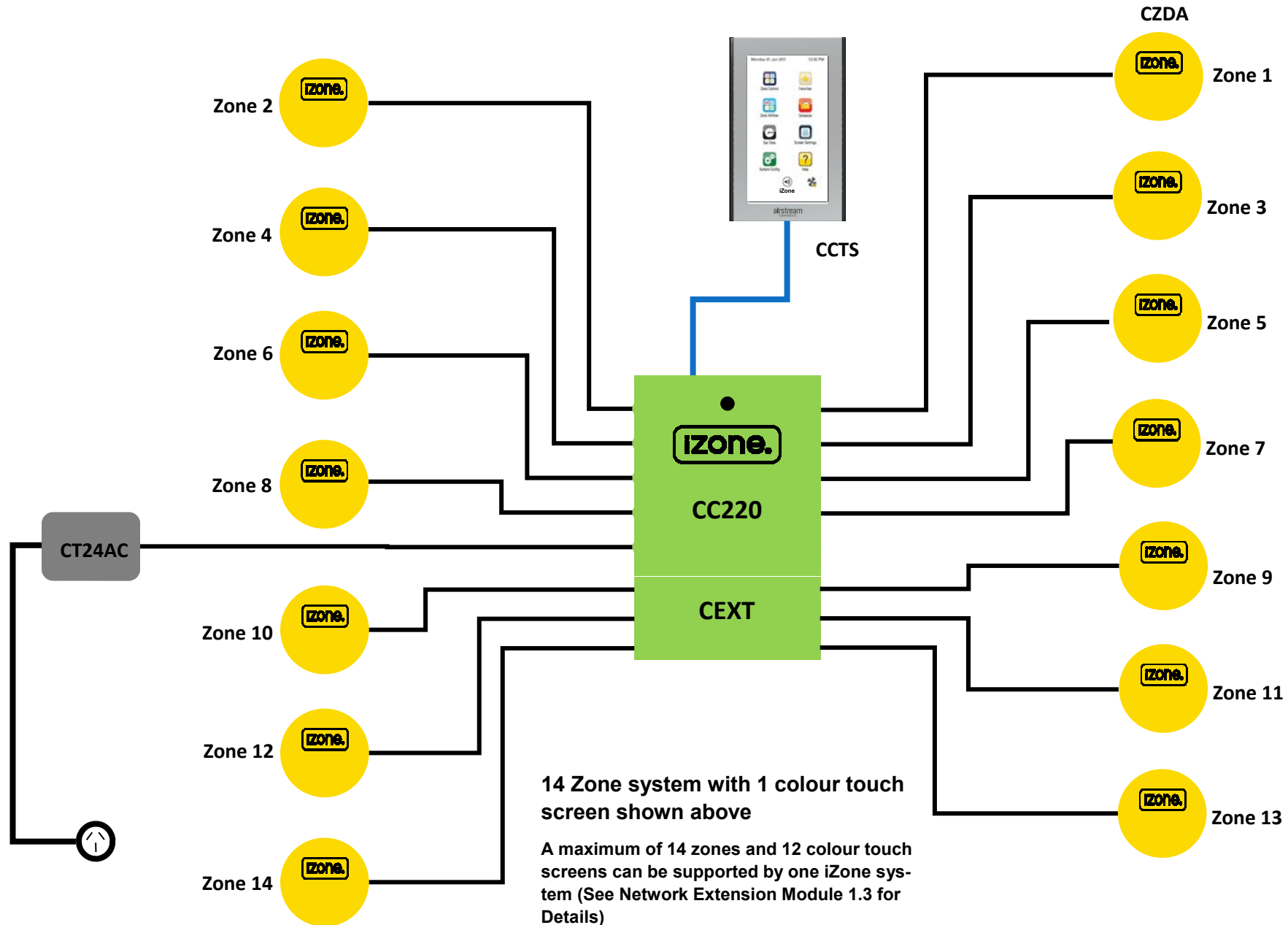
# 1.1 iZone 220 - Wiring layout for base system up to 8 zones



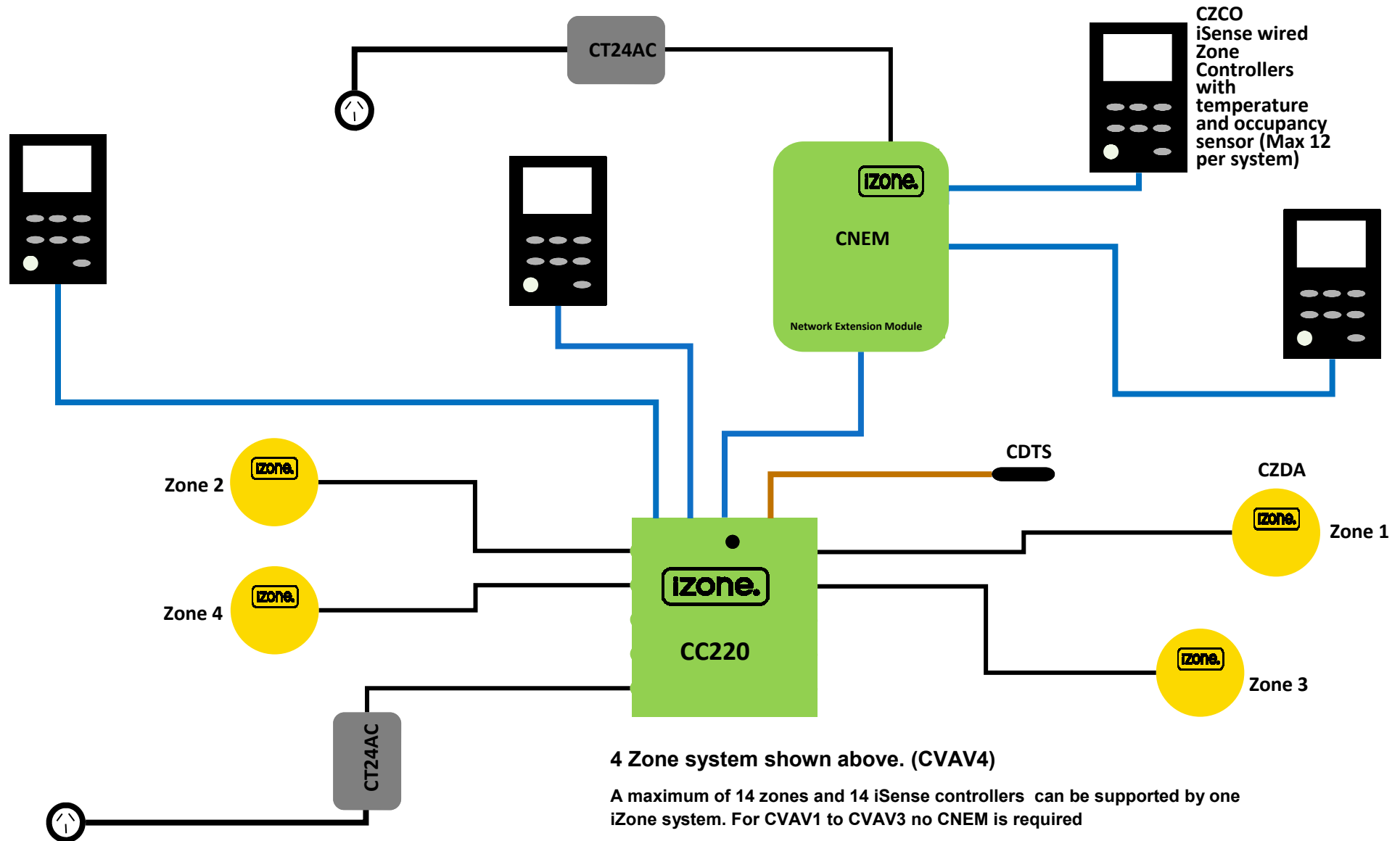
8 Zone system with 1 colour touch screen shown above

A maximum of 14 zones and 12 colour touch screens can be supported by one iZone system (See Network Extension Module 1.3 for Details)

# 1.2 iZone 220 - Wiring layout for base system 9 to 14 zones

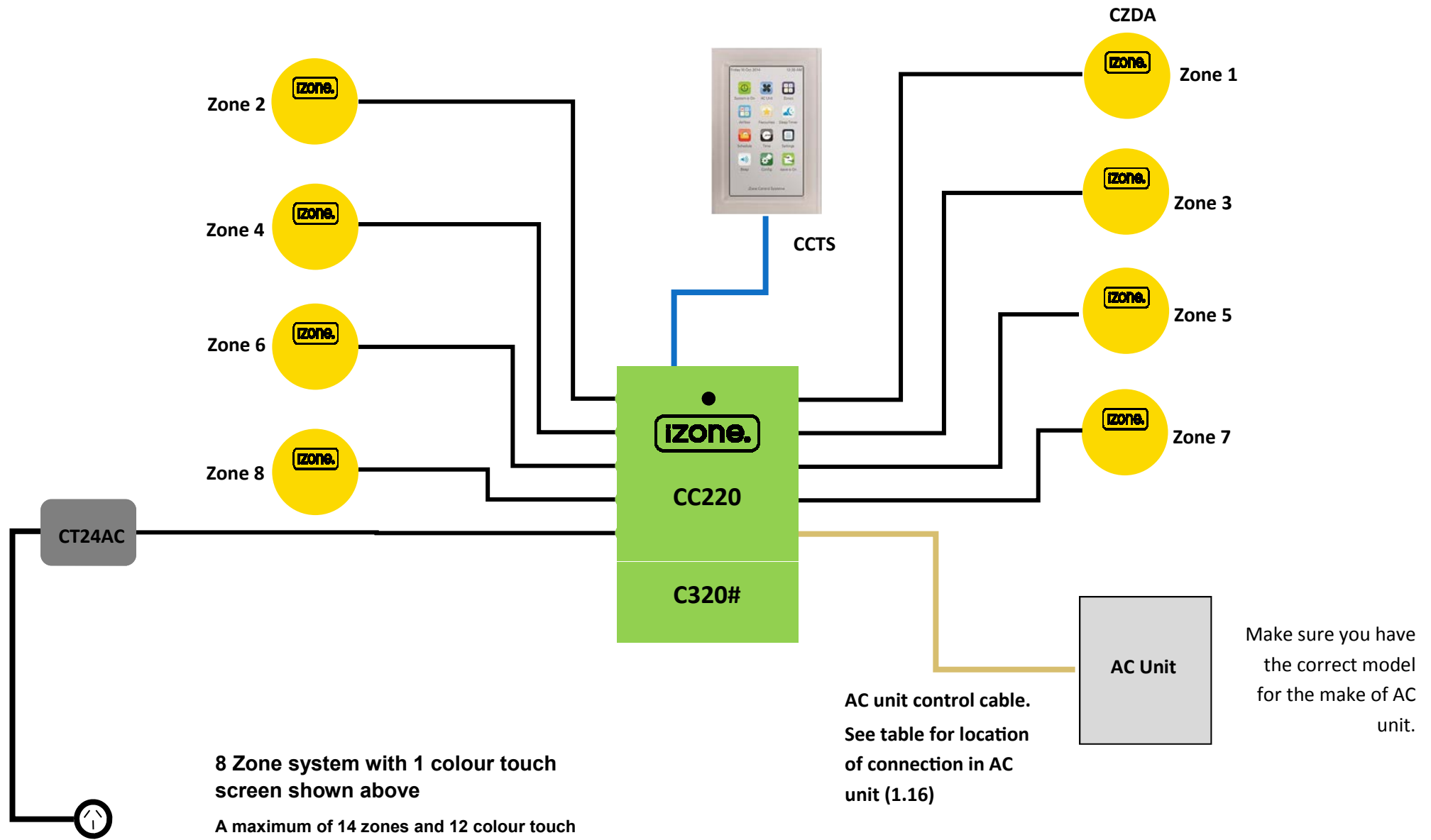


# 1.3 Stand alone VAV systems - Wiring layout for typical 4 zone system





# 1.4 iZone 320 - Wiring layout for base system up to 8 zones

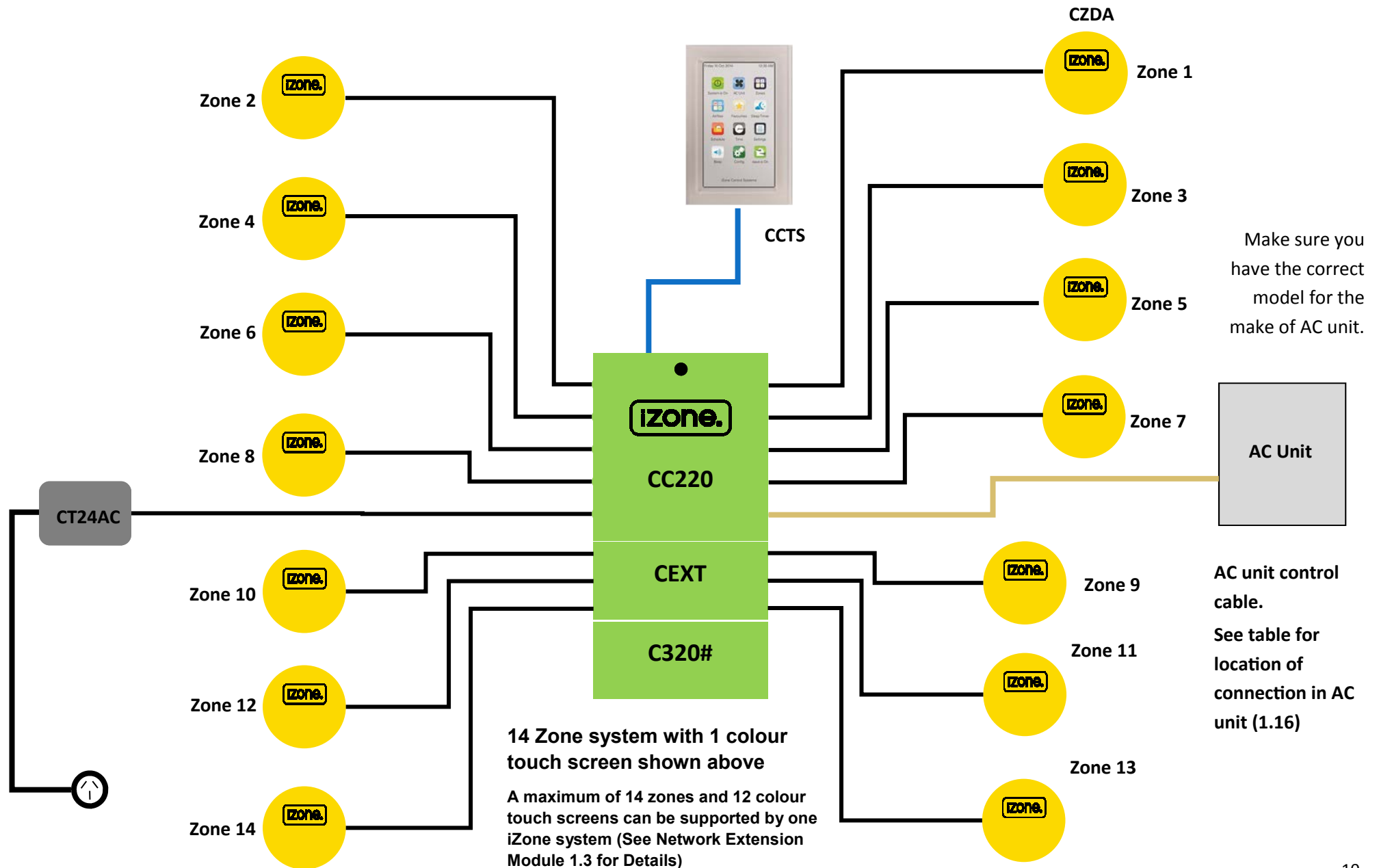


**8 Zone system with 1 colour touch screen shown above**

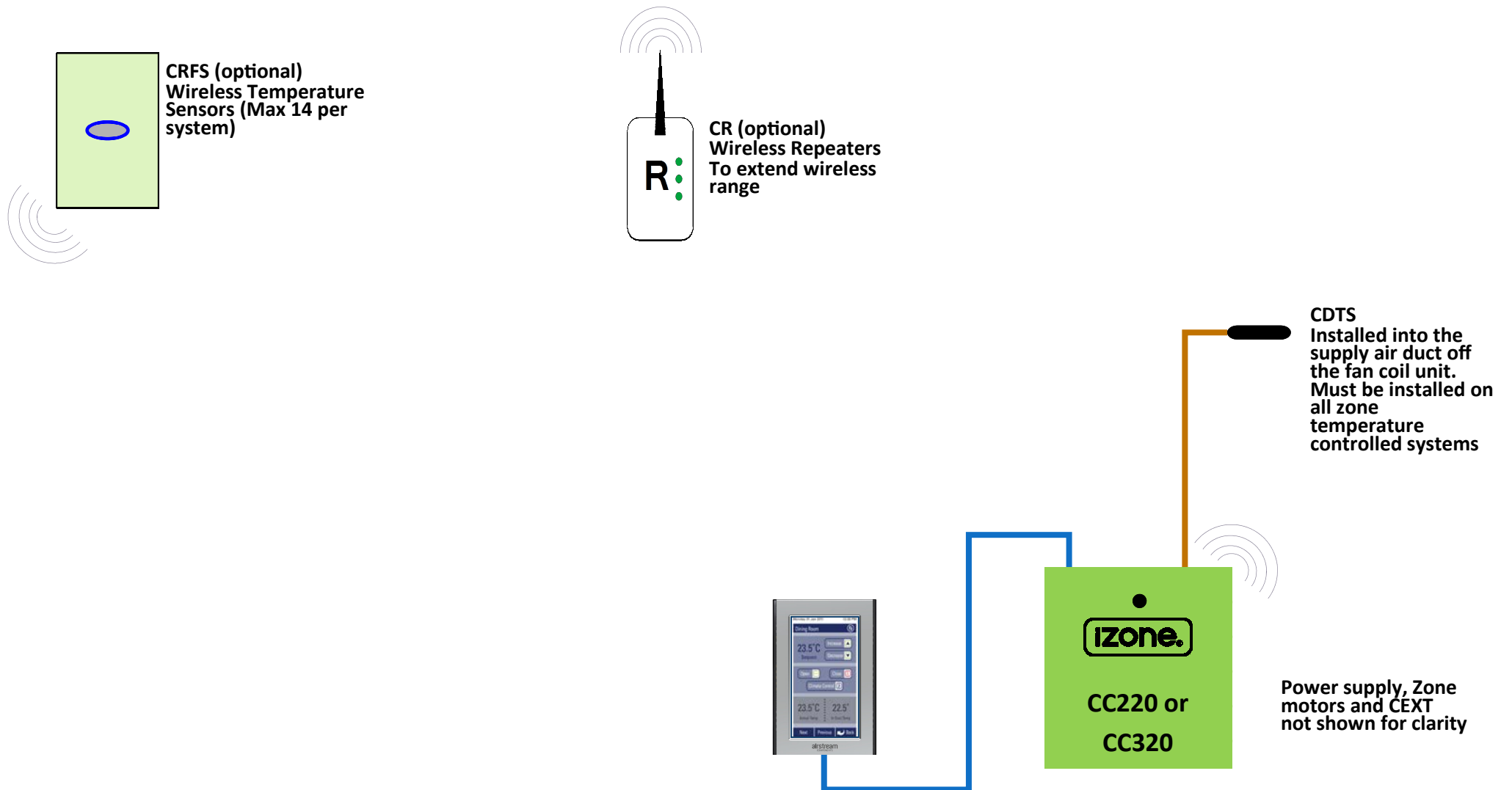
A maximum of 14 zones and 12 colour touch screens can be supported by one iZone system (See Network Extension Module 1.3 for Details)

AC unit control cable.  
See table for location of connection in AC unit (1.16)

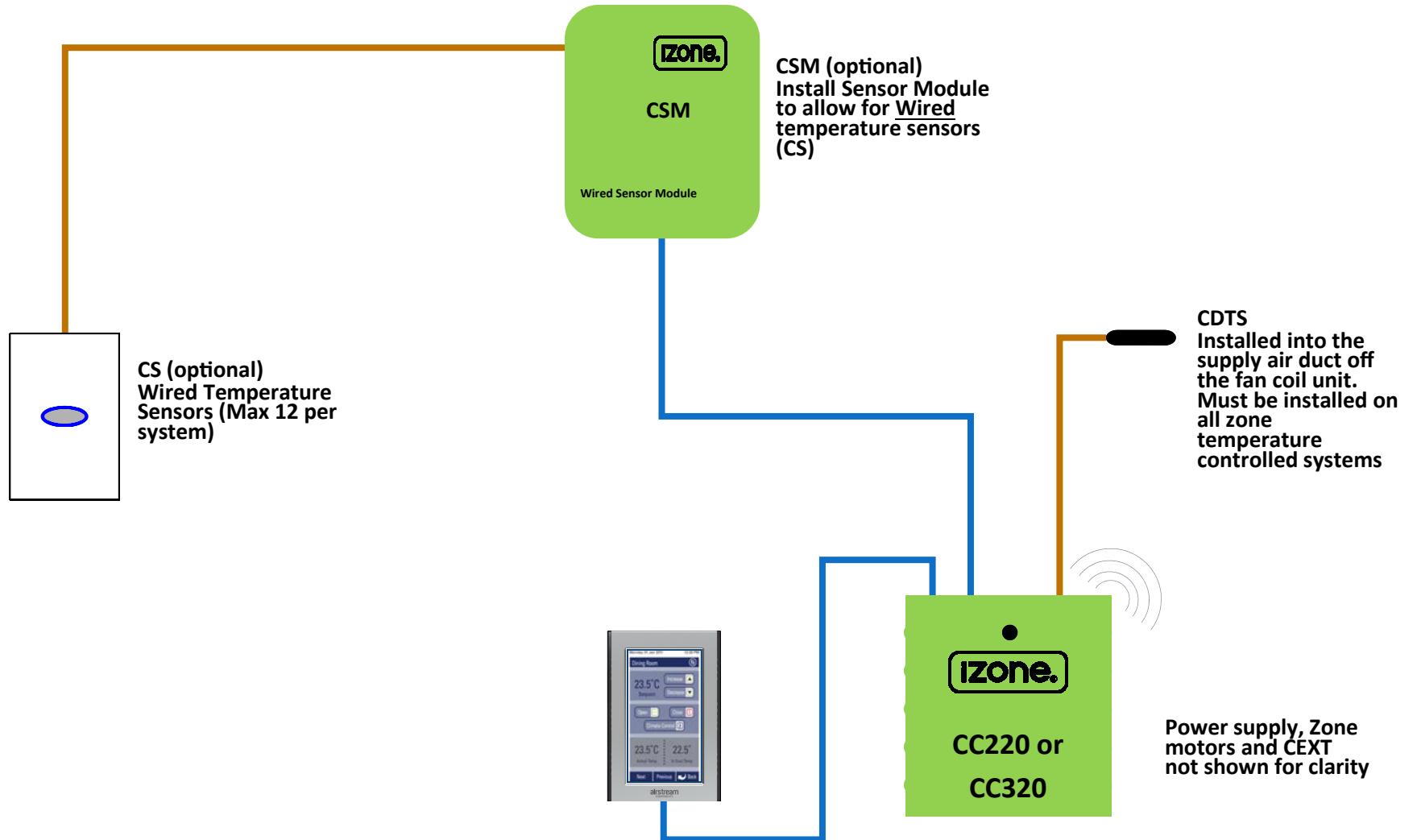
# 1.5 iZone 320 - Wiring layout for base system 9 to 14 zones



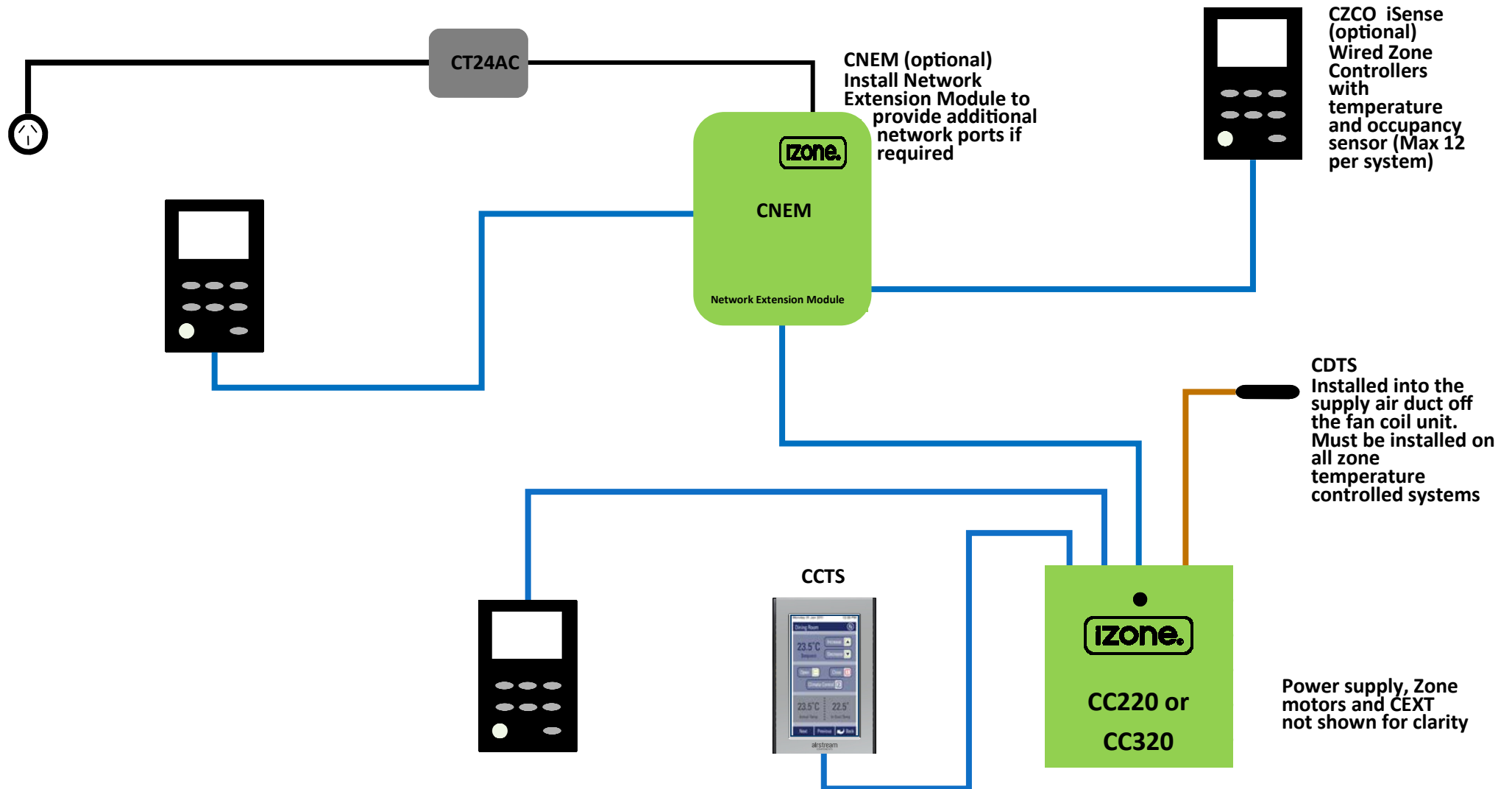
# 1.6 Optional equipment for wireless temperature controlled zones



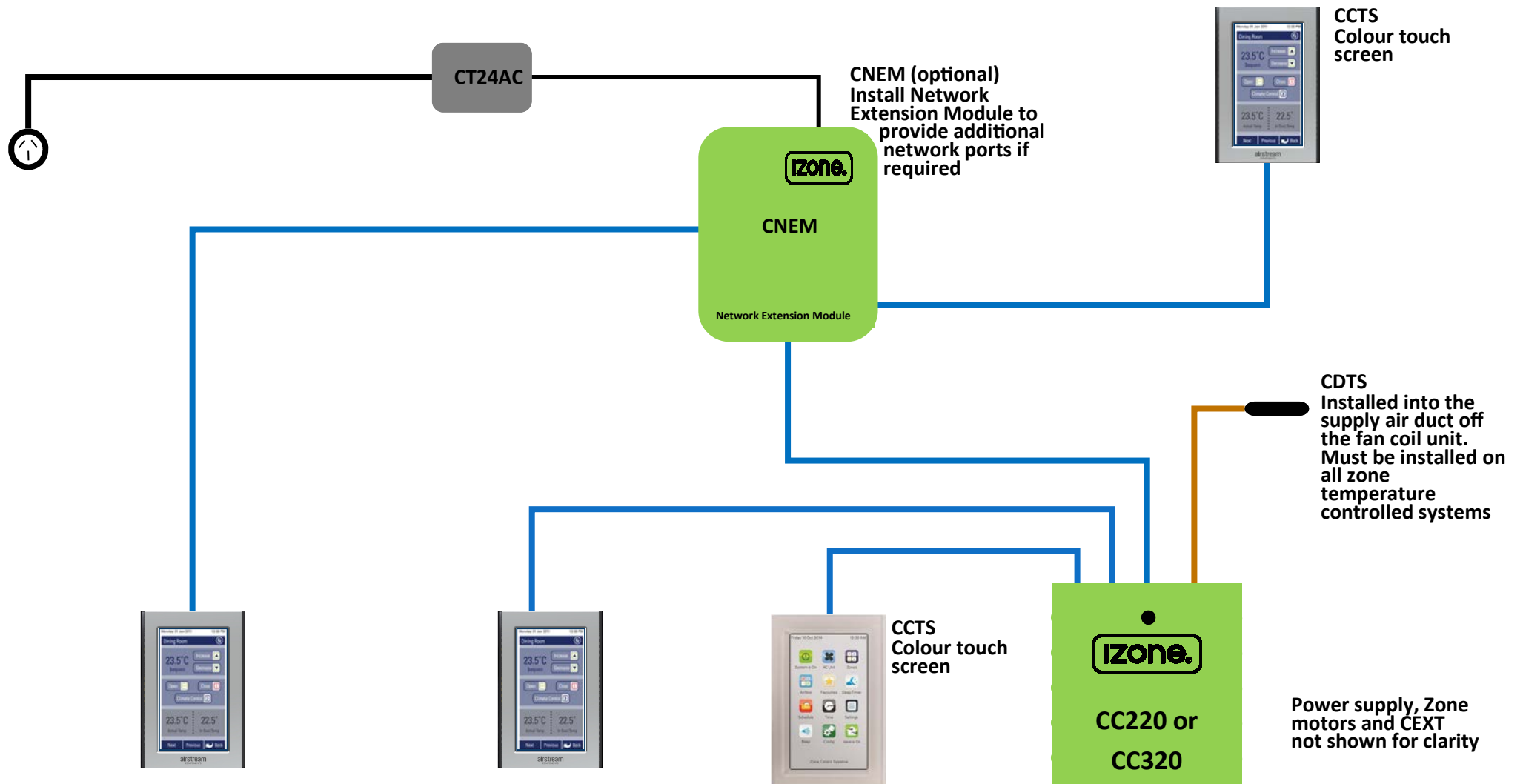
# 1.7 Optional equipment for wired temperature sensors



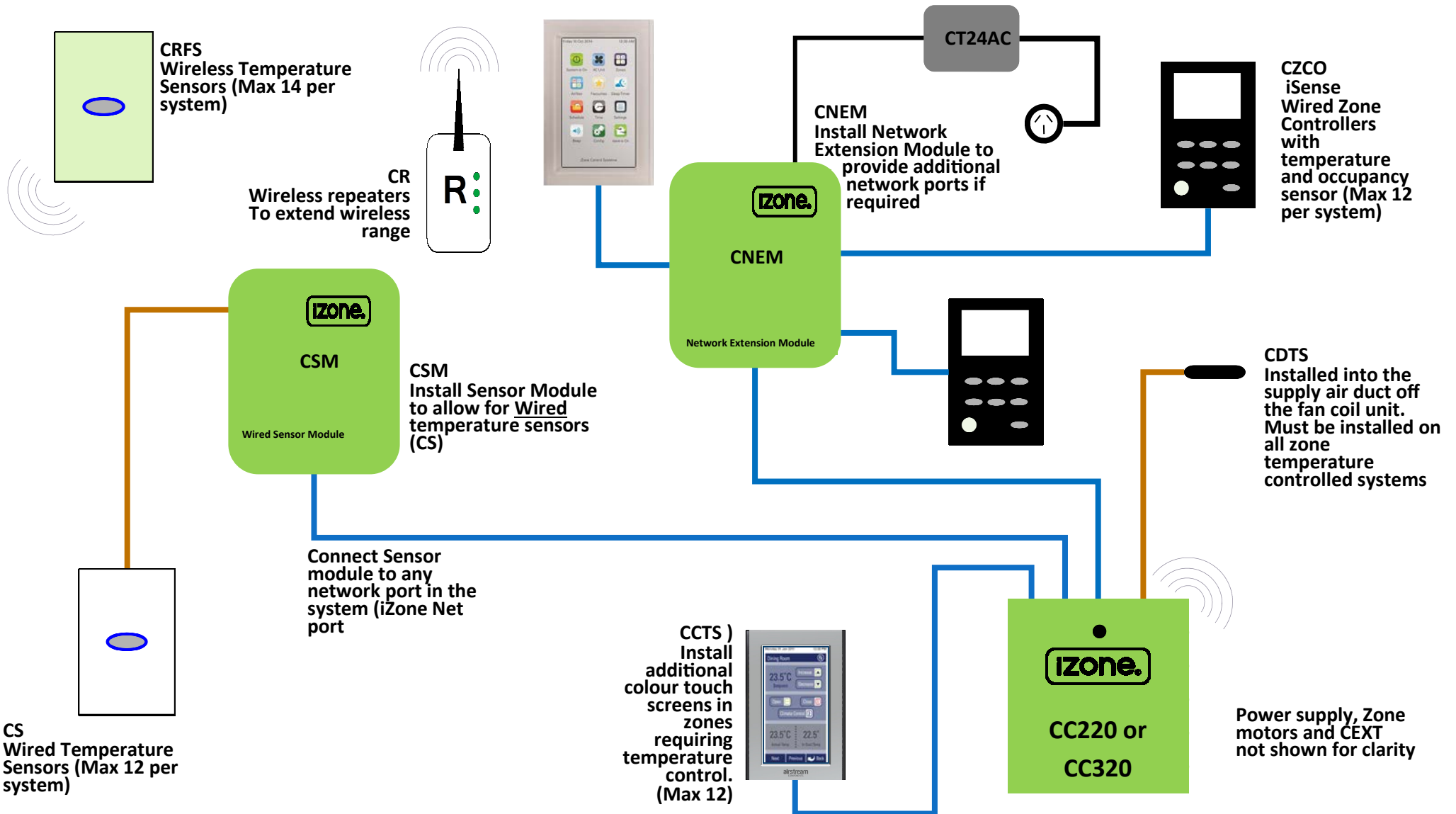
# 1.8 Optional equipment for iSense temperature and occupancy controlled zones



# 1.9 Optional equipment for colour touch screen temperature controlled zones



# 1.10 Example of different types of temperature sensors & controllers on a single system



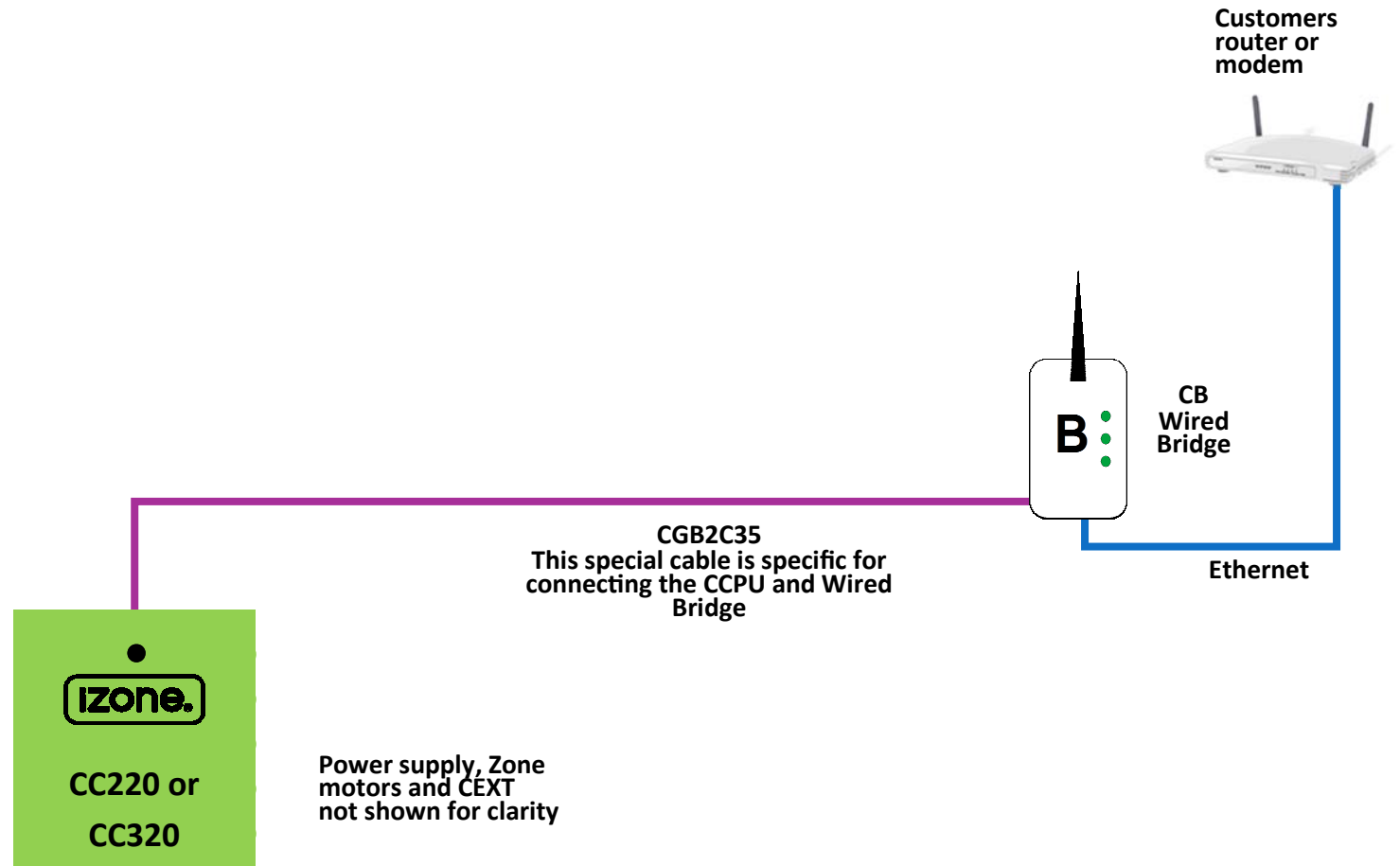
# 1.11 Optional equipment for wired WiFi Control of system



Download the iZone App to your smart phone or tablet or PC



iZone desk top PC App available from the iZone website





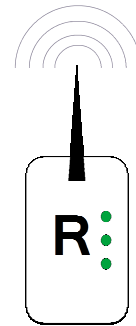
# 1.12 Optional equipment for wireless WiFi control of system



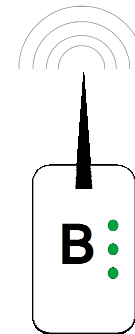
Download the iZone App to your smart phone or tablet or PC



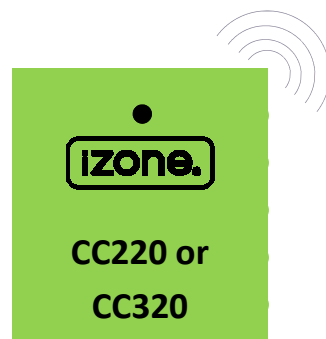
iZone desk top PC App available from the iZone website



CR (optional) Wireless Repeater

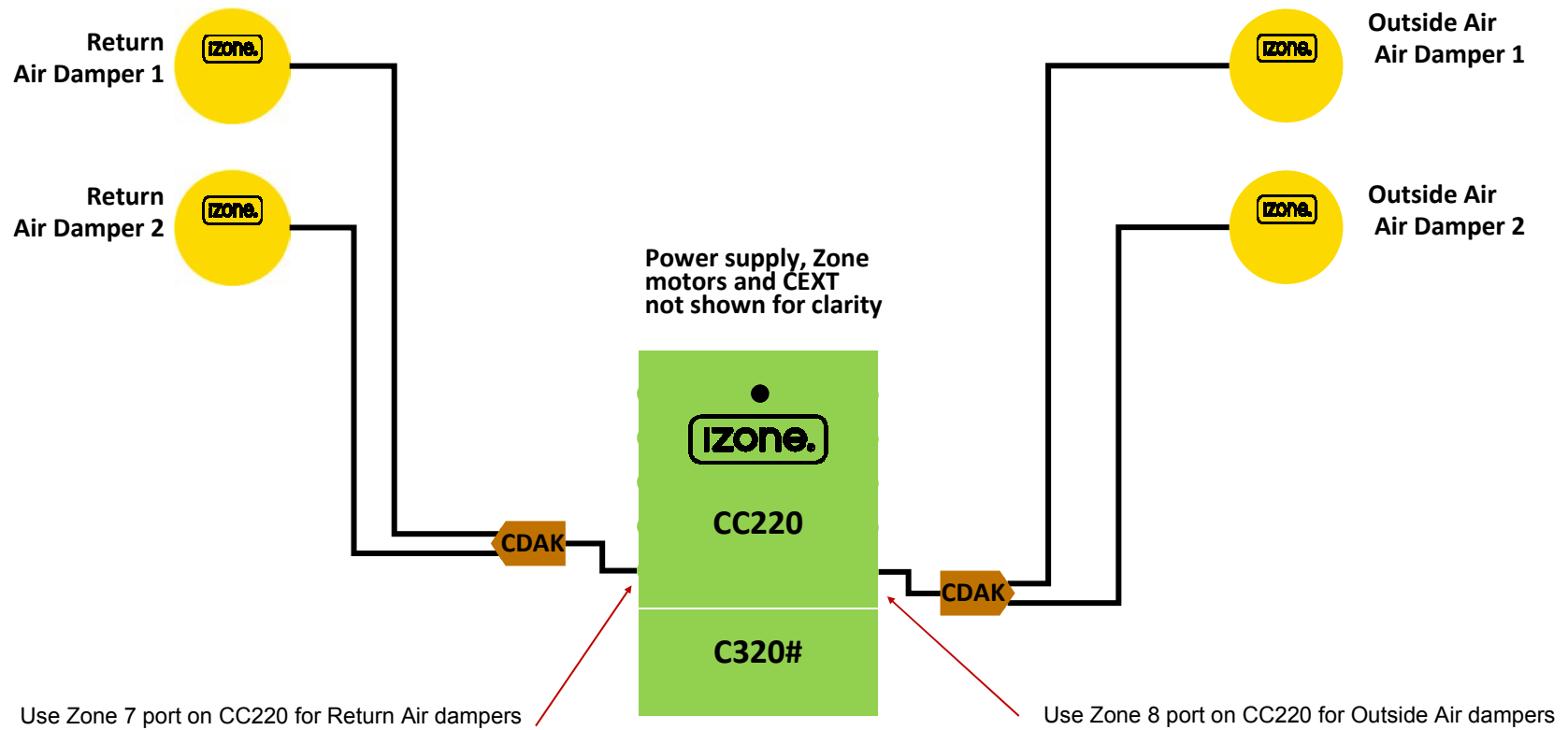


CB Wireless Bridge



Power supply, Zone motors and CEXT not shown for clarity

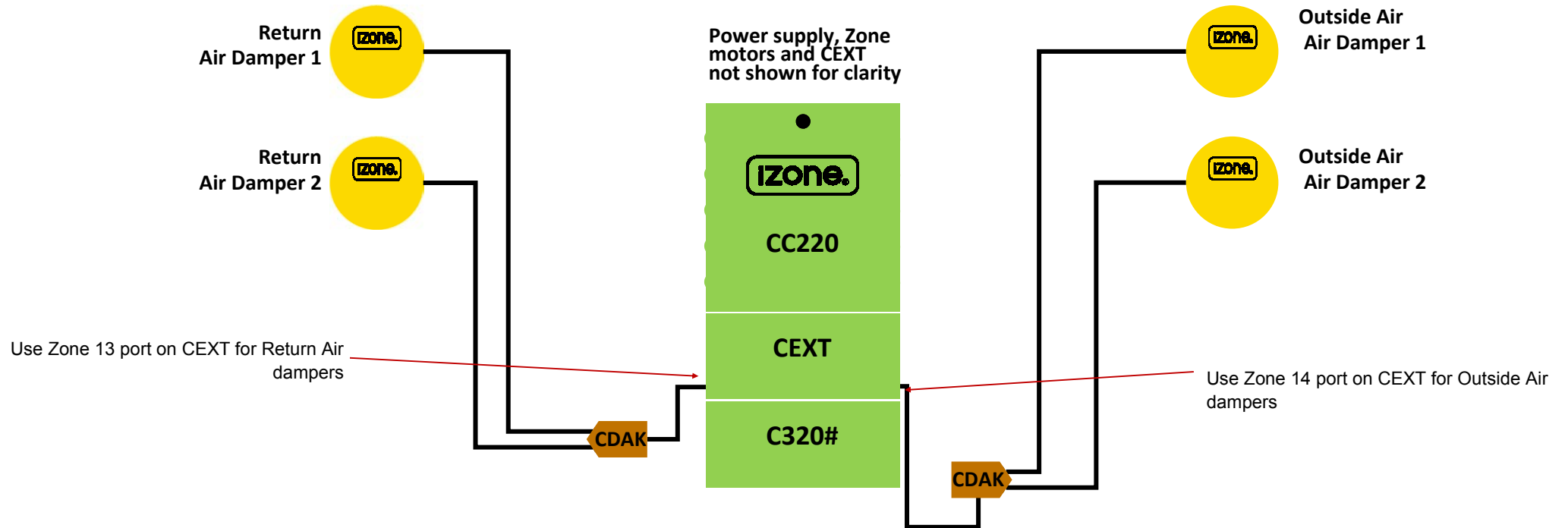
# 1.13 iZone 320 - Optional equipment for iSave addition (up to 6 zones)



**Note:**

When the iSave option is used with an 8 zone system it is limited to a maximum of 6 Zones

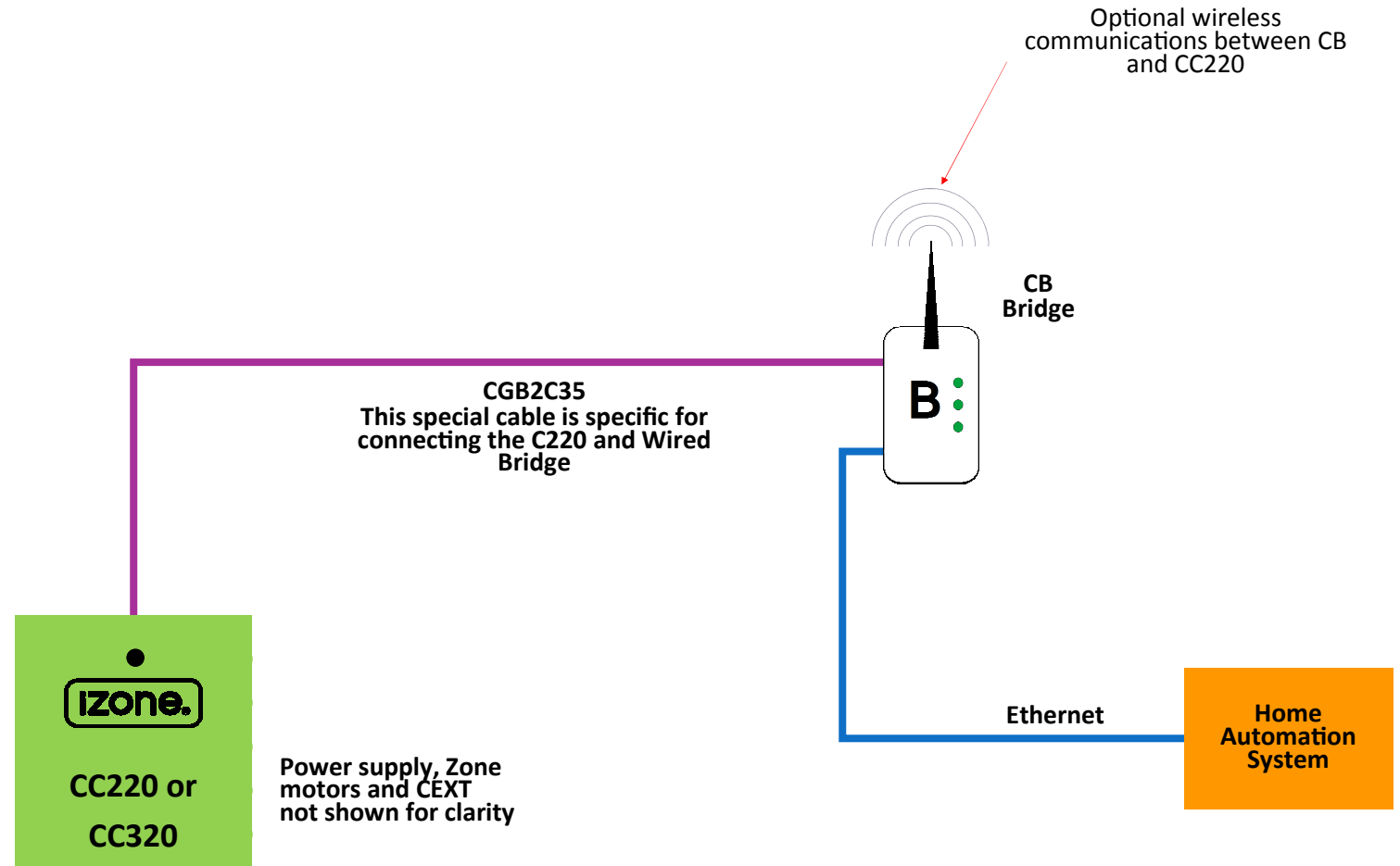
# 1.14 iZone 320 - Optional equipment for iSave addition (7-12 Zones)



**Note:**

When the iSave option is used with the CEXT the iZone system is limited to a maximum of 12 Zones

# 1.15 Optional equipment for Ethernet Home Automation connection



## 1.16 iZone 320 - Wiring connection to AC units

Unit Make	Connection
<b>Daikin</b>	Take the P1 / P2 control wire from the fan coil unit and connect it to the iZone C220 / C320D
<b>Fujitsu</b>	Do <b>not</b> connect the 12V wire to the iZone (Usually Red). Connect the black and white wires from the fan coil unit to iZone C220 / C320F
<b>LG</b>	See detailed instructions on 1.17 page 22
<b>Mitsubishi Electric</b>	Take the Remote Controller (A / B) control wire from the fan coil unit and connect it to the AC Unit Control Cable on the C220 / C320M
<b>Panasonic</b>	Take the A / B control wire from the fan coil unit and connect it to the AC Unit Control Cable on the C220 / C320P
<b>Temperzone</b>	See detailed instructions on 1.18 page 23
<b>Toshiba</b>	Take the A / B control wire from the fan coil unit and connect it to the AC Unit Control Cable on the C220 / C320T

# 1.17 iZone 320 - Wiring connection to LG units

## Unit Make

### LG

LG condensing unit must be supplied with an optional PI485 Gateway (M) board in the condensing unit. LG dipswitch settings are as follows:

- ⇒ Dip switches 1 and 4 **ON**
- ⇒ All others are **OFF**

## Connection

1. Connect a shielded, 2 core, twisted pair control cable from the C220 / C320L to the PI485 Gateway (M) board in the condensing unit. (This cable is supplied by the installer). Polarity is critical see Fig (C) & (D) for correct connection.

Shielded, 2 core,  
twisted pair control  
cable (not supplied)

B  
A

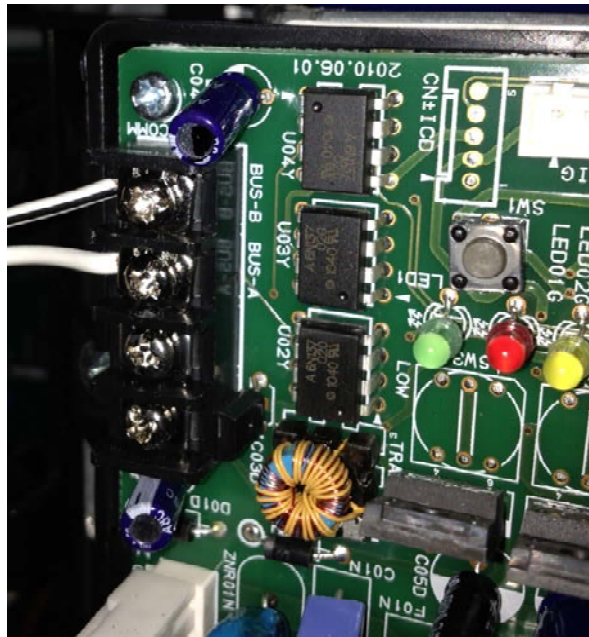
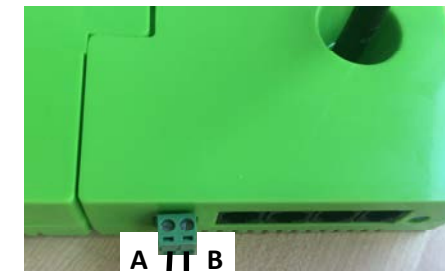


Fig (C) - LG PI485 Gateway (M) board in condensing unit



Shielded, 2 core,  
twisted pair control  
cable (not supplied)

Fig (D) - iZone C220 / C320L

# 1.18 iZone 320 - Wiring connection to Temperzone units

## Unit Make

## Connection

### Temperzone

1. Connect a shielded, 2 core, twisted pair control cable from the C220 to the UC7 board in the condensing unit. (This cable is supplied by the installer). Polarity is critical see Fig A & B for correct connection.
2. Adjust location of jumper J1 to suit the length of control cable installed.
3. Ensure the dip switches in the condensing unit are set correctly for the installed compressor type (digital / fixed speed) and fan speed control. Refer to the Temperzone service manual.
4. Fit a link as shown in the Temperzone wiring diagram to enable BMS control. This link is between the following terminal: HOT24V AC and COMP 24V

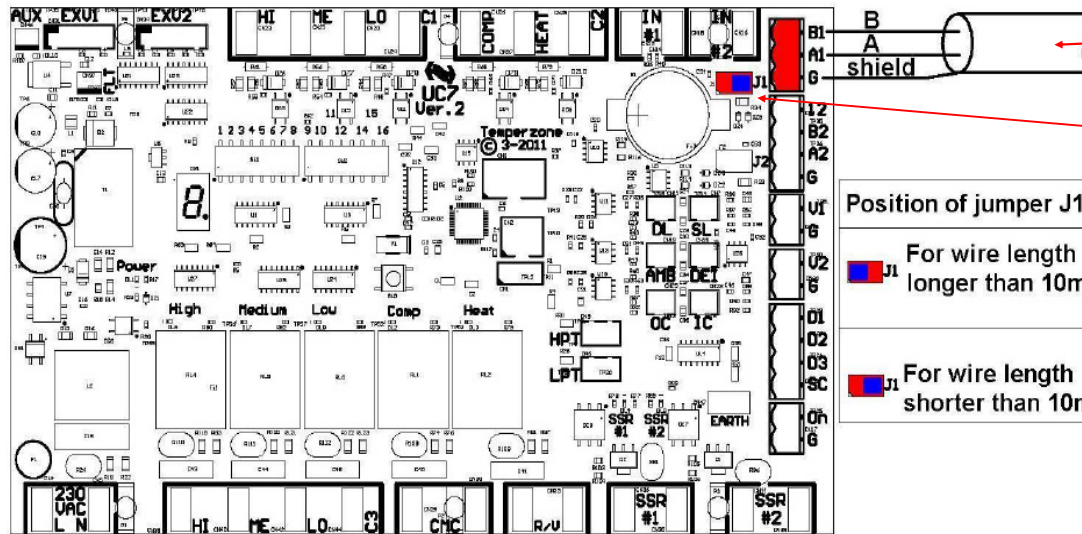
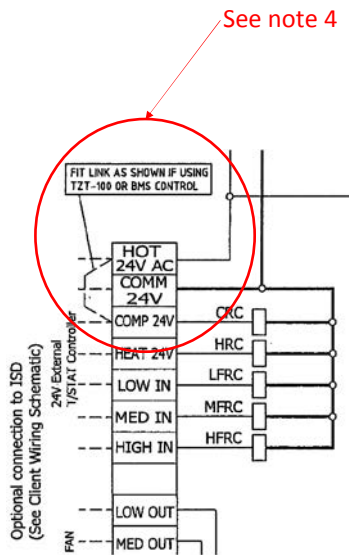
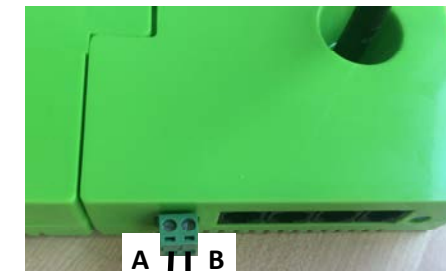


Fig (A) - Temperzone UC7 outdoor

Shielded, 2 core, twisted pair control cable (not supplied)

Adjust jumper J1 to suit cable length



Correct polarity

Shielded, 2 core, twisted pair control cable (not supplied)

Fig (B) - iZone C220 / C320TZ

# 1.19 General installation instructions

1. The C220, C320 and CEXT can be installed close to the indoor fan coil unit.
2. If any wireless sensor (CRFS) or wireless bridge (CB) is not within the range of the C220 then additional repeaters (CR) should be added to help relay the signal from the field device to the C220.
3. Do **not** run the network cables alongside 240 Volt wiring.
4. When installing network cables down wall cavities or chasing network cables into walls, tape up and protect the RJ45 connector to avoid damage to the connectors. Installation damage to cables **is not** covered under warranty.
5. Always install zones in consecutive ports starting at Zone 1. The C220 and CEXT are marked with the zone port numbers.
6. Do not directly hardwire the CT24V into the AC unit's power supply. This may void the warranty as it will require an electrician in the event that a repair of the iZone power supply is required.
7. Connect Zone Damper Actuators (CZDA) to the zone ports using the RJ11 cables as shown.
8. Connect the Colour Touch Screens (CCTS) to the iZone Net ports using the RJ45 cables. If you are connecting more than 3 components requiring iZone Net ports to the system you will need to connect a Network Extension Module Kit (CNEMK) to one of the iZone Net ports on the CC220 using a short RJ45 cable.
9. If any zone is temperature controlled, connect a Duct Temperature Sensor (CDTS) to the CDTS port. Install the sensor into the **supply air** duct upstream of all dampers. Secure the sensor in place by using reinforced aluminium tape.
10. When installing temperature controlled zones ensure the CCTS or sensor for the associated zone is installed in a location that is representative of the temperature in the room / zone . The sensor should be installed at approximately 1600mm above the floor and should not be subject to draughts, direct sunlight or heat from equipment such as computers, TV screens etc. The supply air outlets to this room must **not** blow conditioned air directly onto the sensors or touch screens.
11. Connect the AC unit control cable to the C220 / C320. See table 1.16 for details. (This cable is not supplied by Airstream.)
12. The building must be fitted with a compatible WiFi modem. Contact Airstream for a list of approved and recommended modems.
13. If connecting the iZone system to a Home Automation system use the Ethernet connection on the bridge.
14. Only connect the power supply to the CT24VAC port after all components have been connected.
15. Any existing or new air conditioning units that require modification or additional boards to facilitate the correct operation of the iZone system, is the installing contractors responsibility.



## 2.0 System initialisation

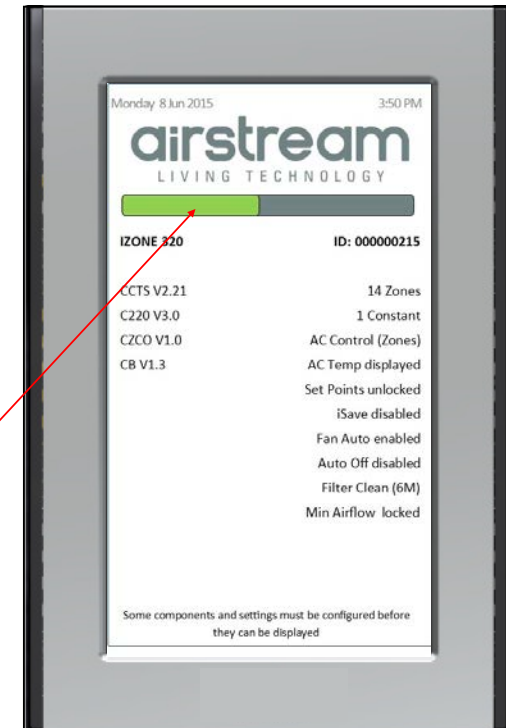
All new or modified systems must be initialised prior to system configuration.

To initialise the system press the button on the underside of any colour touch screen. This button is recessed so you will need to use a pen to press the button.

The time to initialise the system will vary depending on the number of motors connected.

The system will also initialise when power is restored after a power failure.

Progress bar will scroll while system initialises and tests all zone dampers



Using a pen, press the button on the underside of the screen.



## 2.1 During initialisation

This screen will be displayed whenever the system is reset or when power is restored after a power failure. None of the previous settings or parameters are lost.

System type

Components detected and software versions

Monday 8 Jun 2015 3:50 PM

**airstream**  
LIVING TECHNOLOGY

Progress bar

**IZONE 320** **ID: 00000215**

CCTS V2.21	14 Zones
C220 V3.0	1 Constant
CZCO V1.0	AC Control (Zones)
CB V1.3	AC Temp displayed
	Set Points unlocked
	iSave disabled
	Fan Auto enabled
	Auto Off disabled
	Filter Clean (6M)
	Min Airflow locked

Current system configuration settings

Some components and settings must be configured before they can be displayed

This image is an example only. Your screen may display differently depending on the system type, what options are selected and the configuration settings entered by your installing contractor.

## 3.0 System configuration

**WARNING !** Only qualified iZone installers should configure the iZone System. Incorrect configuration could result in damage to your air conditioning unit and system.

To configure your system click on the System Config icon on the home page.



System Config

Enter the system password “**wamfud**” and press the enter button. The enter



button must always be touched to save changes.

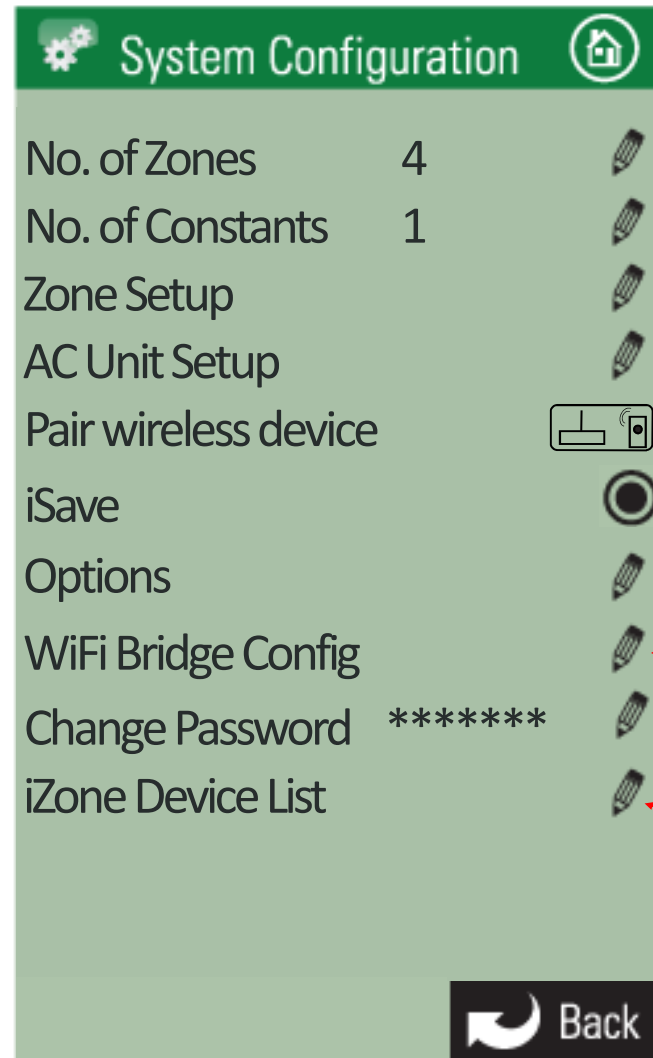
You will now be in the System Configuration area.

# 3.1 Configuration main menu

Monday 8 Jun 2015

3:50 PM

**Note:**  
Information on the configuration screen may vary depending which devices are connected to the system and if it is an iZone 320 or 220



Touch here to edit the number of zones installed.

Touch here to edit the number of variable electronic constant zones required.

Touch here to set up and configure each zone (see 3.2).

Touch here to set up AC Unit Configuration (see 3.3).

Touch here to pair wireless devices

Touch here to enable iSave icons. iSave components must be installed and electronic hardware set up accordingly

Touch here to set up Options

Touch here if you need to manually configure the IP address of the WiFi Bridge.

Touch here to change the system password

Touch here to list the devices and software versions detected by this system

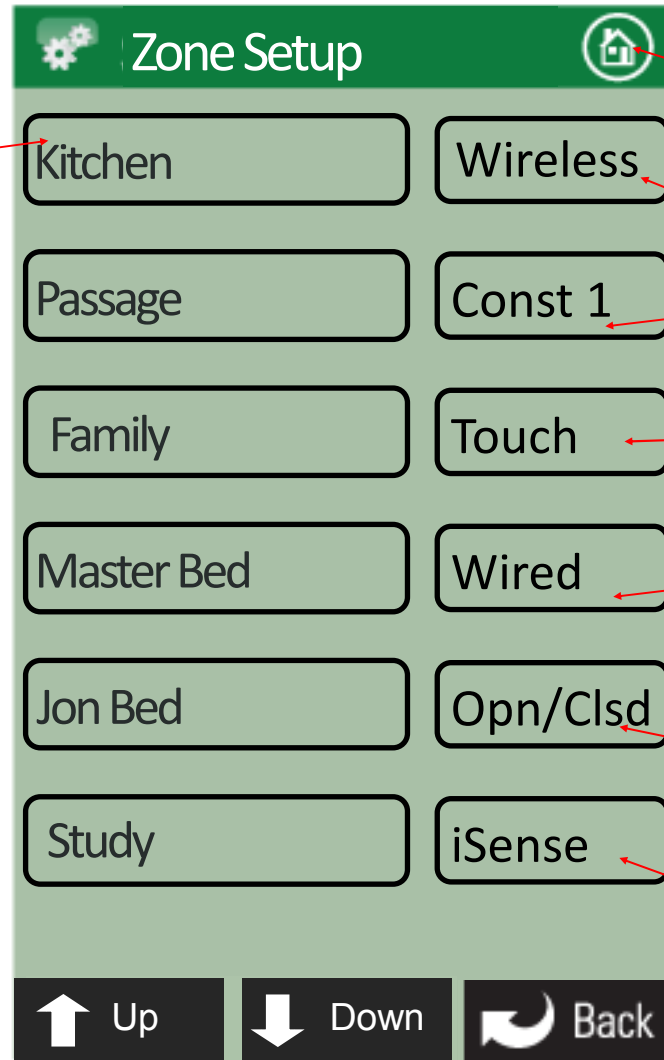
Touch here to go back to the Home screen

iZone

Inventive · Intelligent · Intuitive

# 3.2 Zone set up

Monday 8 Jun 2015 3:50 PM



If the zone has been named its name will show here

Touch here to go to the home screen

Indicates this zone is fitted with a wireless sensor. Touch here to change.

Indicates this zone is designated to be the first electronic constant zone.

Indicates this zone temperature is controlled via the sensor in a touch screen. Press here to change.

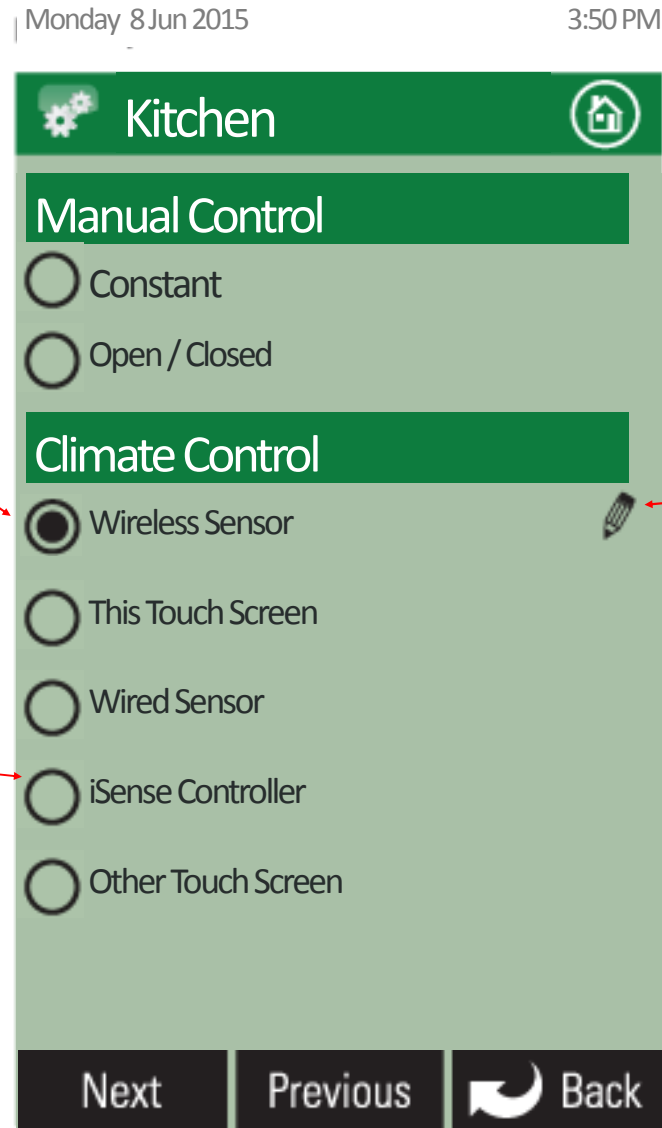
Indicates this zone is fitted with a wired sensor. Touch here to change.

Indicates this zone has been set up for Open / Close control only

Indicates this zone is set up for temperature control via an iSense controller

iZone  
Inventive · Intelligent · Intuitive

## 3.2 Zone set up



Indicates this zone has been configured to be climate controlled via a Wireless Sensor

The configuration of this zone can be changed by simply selecting the appropriate button. Please note the correct hardware must be fitted for the zone to work correctly

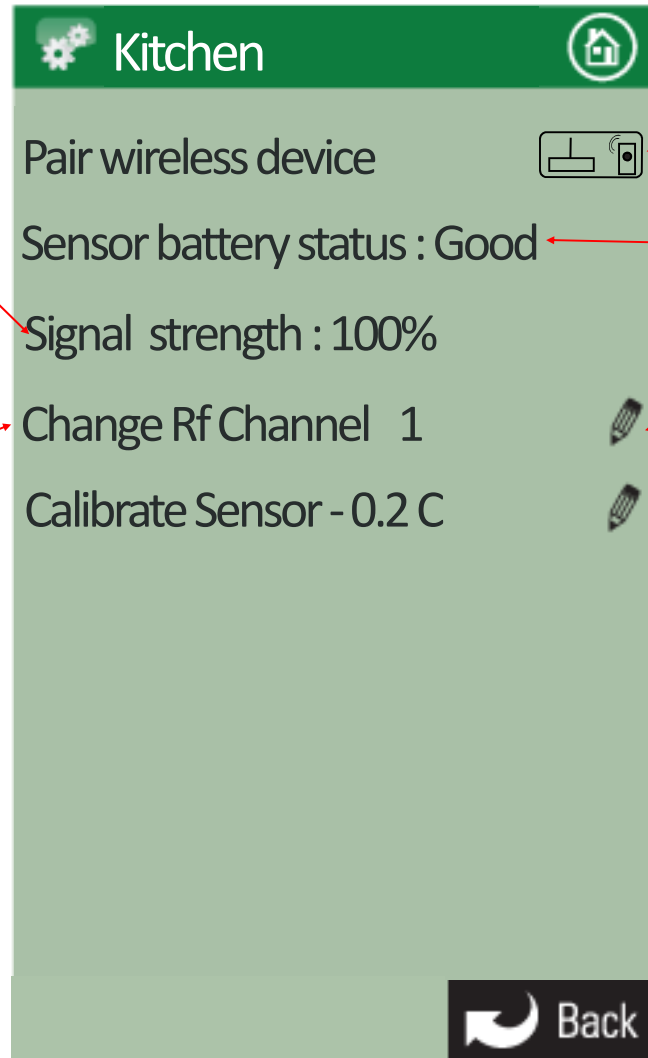
Press here to view or make changes to the wireless sensor status and configuration

iZone  
Inventive · Intelligent · Intuitive

# 3.2.1 Sensor configuration

Monday 8 Jun 2015

3:50 PM



Indicates the status of the wireless signal strength from the sensor in this zone. It can take up to 10 minutes of normal operation to get an accurate reading. To speed up the process press the Off / Auto button on the sensor 5 times.

Displays the Radio frequency channel the system has been configured to. This channel can be changed if RF interference is being experienced.

If the channel is changed all wireless devices need to be paired

Hold down the "Pairing Button" on the iZone wireless device. (see 3.2.2).

Then press here to pair the device to your iZone system

Indicates the status of the battery in the sensor in this zone

Press here to change the Rf Channel

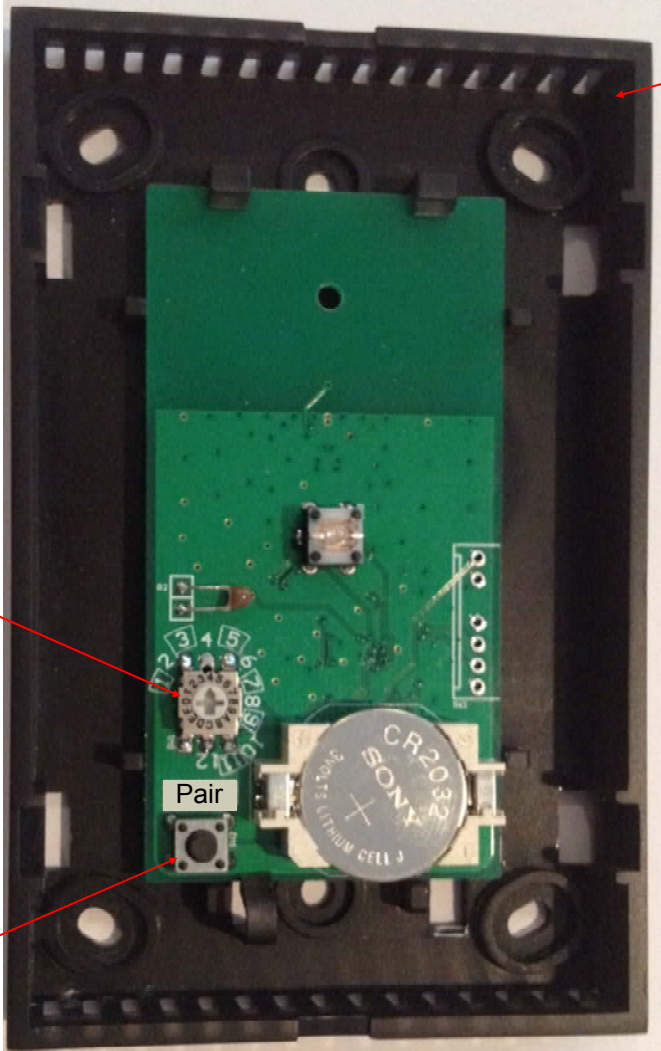
Press here to adjust the calibration of this sensor (See 3.2.3)

Touch here to go back and save any changes.

iZone

Inventive · Intelligent · Intuitive

# 3.2.2 Pairing and configuring iZone RF Sensors



Remove front cover from sensor

Set the zone selector switch to the correct zone number

Pair

Press and hold Pairing button on the wireless device . At the same time press the Pairing Button on the touch screen (see 3.2.1) and wait until the update is complete

**Note:**

To pair other devices such as an iZone bridge or repeater simply press the pairing button on the device and at the same time press the pairing button on the touch screen and wait for the update to complete.



# 3.2.3 Sensor Calibration

Monday 8 Jun 2015

3:50 PM

Re-calibrated temperature for this zone

Current reading with calibration offset included

Touch here to adjust the calibration down by -0.1 deg. C

Touch here to adjust the calibration up by +0.1 deg. C

Total calibration offset from manufactured setting

Touch here to go back and save the changes.

**Note:**

Re-calibration of the temperature sensor in the touch screens can only be done from the touch screen you want to re-calibrate.

## 3.2.4 iSense controller configuration



Indicates the iSense has been activated on this controller.

Press and hold the “iSense” button to enter the Occupancy Strategy configuration menu. Follow the prompts to select the most appropriate strategy for your room or use the Custom Setup option to design your own strategy

Press and hold the “Airflow” button to configure the controller. Here you can configure the correct Zone to control and you can calibrate the sensor if required

**Note:**

When iSense has been activated movement is required in the range of the occupancy sensor to keep the zone operating. The use of the iSense feature in bedrooms, when the occupants are asleep, is not recommended.

System reset button under here

# 3.3 AC unit configuration (iZone 320 only)

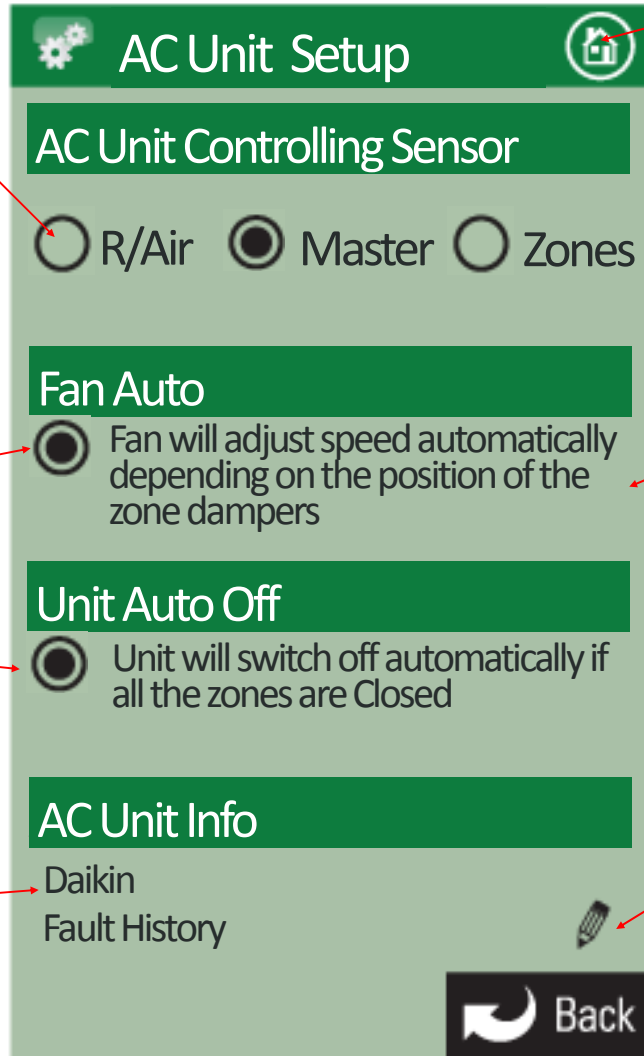
Select method of controlling the AC unit.

- R/Air will control using the unit's return air sensor.
- Master will control the AC unit from the colour touch screen that has been selected as the Master.
- Zones will automatically control the AC unit from the temperature controlled zones.

Monday 8 Jun 2015

3:50 PM

Touch here to go to the home screen.



Touch here to enable / disable this feature

To configure Fan Auto see (3.3.1)

Touch here to enable / disable this feature

Indicates a Daikin AC unit module is connected to this system

Touch here to view the fault history for this AC unit.

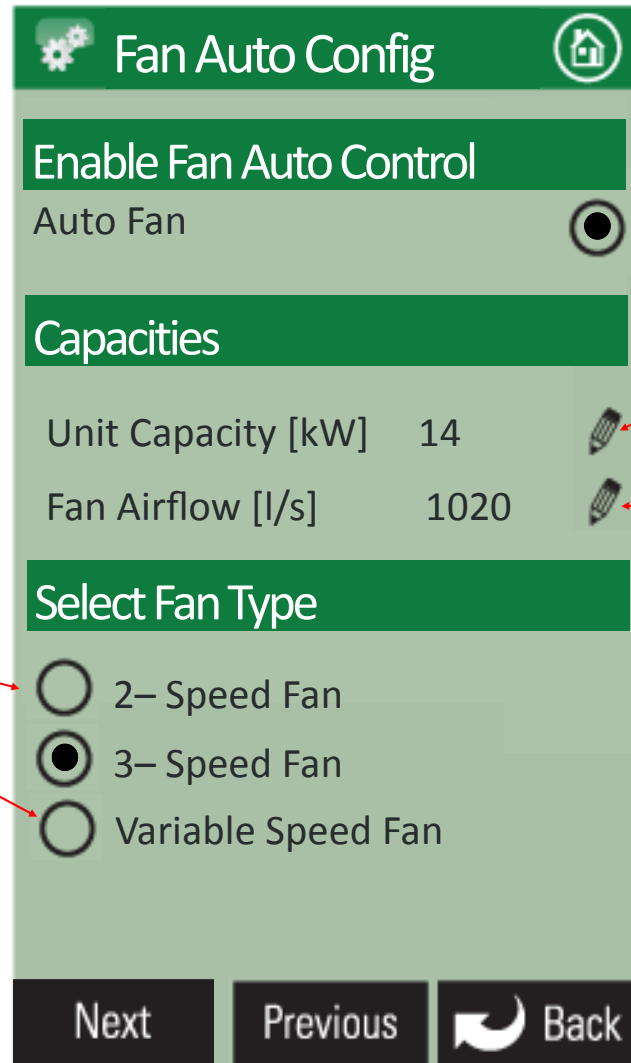
Touch here to go back and save the changes.

iZone  
Inventive · Intelligent · Intuitive

# 3.3.1 Fan auto configuration (iZone 320 only)

Monday 8 Jun 2015

3:50 PM



Touch here to enable Fan Auto control and to proceed with Fan Auto set up

Touch here to set the AC Unit capacity for this system. The capacity selection will provide an approximate airflow capacity for the AC Unit.

Touch here to fine tune the airflow capacity. You can set the exact airflow in litres per second. This is available from the AC Unit manufacturer

Select the correct fan speed type for the system installed. Refer to AC Unit Manufacturer manual

Only available on certain AC unit makes

Touch here to configure the zone areas (3.3.2)

iZone  
Inventive · Intelligent · Intuitive

## 3.3.2 Fan auto zone area setup (iZone 320 only)

Monday 8 Jun 2015 3:50 PM

**Fan Auto Config**

**Zone 1 Area (sqm)**  
**Kitchen 10**

**Zone 2 Area (sqm)**  
**Living 33**

**Zone 3 Area (sqm)**  
**Master Bed 21**

Touch here to set the kitchen area in square meters

Zone name

Current area set for Zone 3

Touch here to go to the next 3 zones

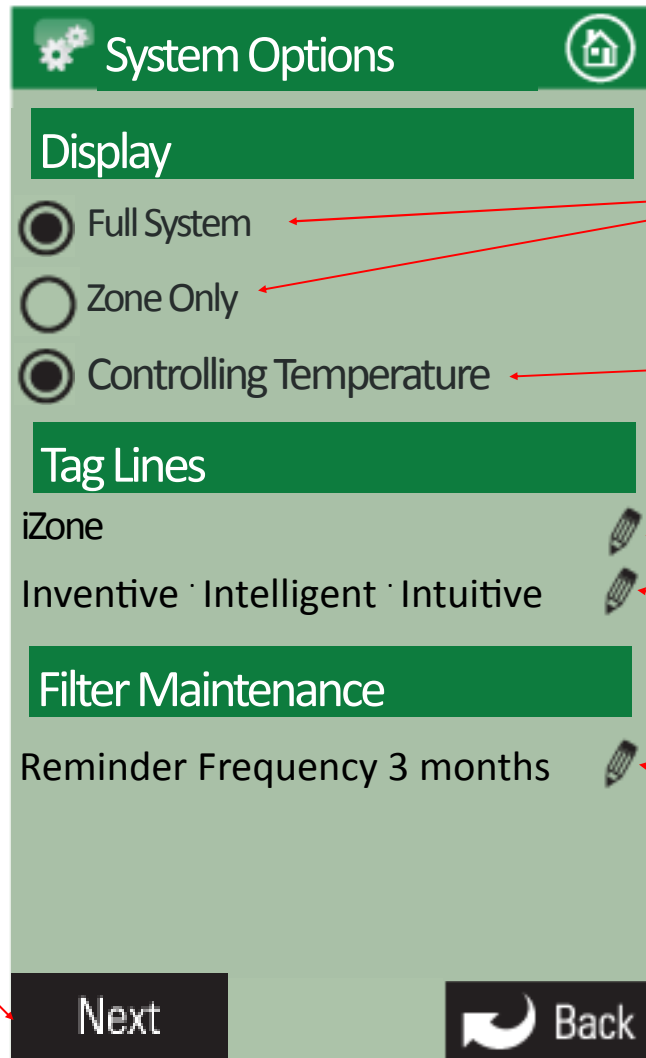
**Next** **Previous** **Back**

iZone  
Inventive · Intelligent · Intuitive

The screenshot shows a mobile application interface for configuring fan auto zones. At the top, the status bar displays the date and time. Below that is a green header with a gear icon, the title 'Fan Auto Config', and a home icon. The main content area lists three zones, each with a green header and a light green body. Zone 1 is 'Kitchen 10', Zone 2 is 'Living 33', and Zone 3 is 'Master Bed 21'. Each zone has an edit icon (pencil) to its right. Red arrows point from external text to these icons and the area values. At the bottom, there are three buttons: 'Next', 'Previous', and 'Back'. A red arrow points from external text to the 'Next' button. The footer contains the 'iZone' logo and the tagline 'Inventive · Intelligent · Intuitive'.

# 3.4 System Options (Display, Taglines & Filter Maintenance)

Monday 8 Jun 2015 3:50 PM



**Note:**  
Information on the configuration screen may vary depending which devices are connected to the system and if it is an iZone 320 or 220

Select either Full System or Zone Only

Select if you want the AC units controlling temperature to be displayed

Touch here to change line 1 of the tag line

Touch here to change line 2 of the tag line

Touch here to change the filter clean reminder frequency

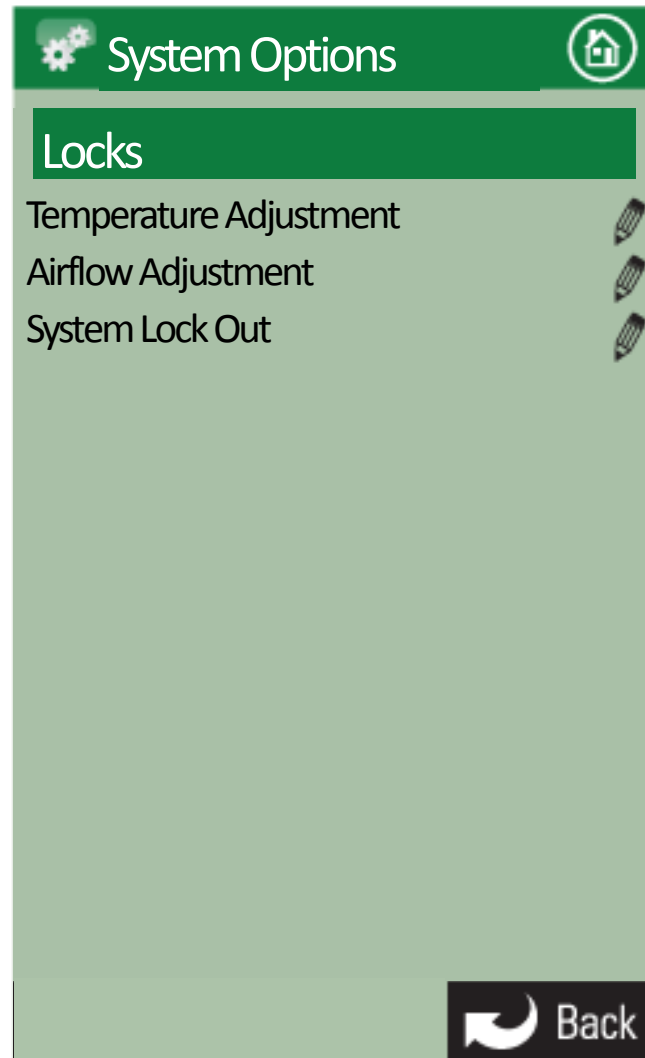
Touch here to go back to the next page of options

Touch here to go back to the previous configuration page

iZone  
Inventive · Intelligent · Intuitive

# 3.4 System Options (Locks)

Monday 8 Jun 2015 3:50 PM



**Note:**

**Information on the configuration screen may vary depending which devices are connected to the system and if it is an iZone 320 or 220**

Touch here to set limits for set point adjustment and to lock this setting

Touch here to lock airflow adjustment. You can lock minimum airflow only or both minimum and maximum air flow adjustments

Touch to lock the AC Unit. You will need to enter a PIN number and then the number of days you want the system to operate for, until it is automatically locked off. Do not forget your PIN. Service charges will apply for a technician to attend site to unlock your system.

Touch here to go back to the previous configuration page

iZone  
Inventive · Intelligent · Intuitive

# 3.5 Wifi bridge configuration

Monday 8 Jun 2015 3:50 PM

Displays the iZone system identification number

Displays the Bridge IP address allocated by the DHCP

Displays iZone Ethernet controller MAC address

Touch here to go to the home screen.

Touch here to go to the manual WiFi configuration

Touch here to go back and save the changes.

WiFi Bridge Config

ID: 123123123

IP: 192.118.27.69

MAC: 00:04:A5:G9:32:39

Next Previous Back

iZone  
Inventive · Intelligent · Intuitive

The screenshot shows a mobile application interface for WiFi Bridge configuration. At the top, the date and time are displayed. The main content area has a green header with a gear icon, the title 'WiFi Bridge Config', and a home icon. Below the header are three green boxes containing the system ID, IP address, and MAC address. At the bottom, there are three buttons: 'Next', 'Previous', and 'Back'. The 'Back' button includes a circular arrow icon. Red arrows point from text annotations to these specific UI elements.



# 3.5.1 Manual IP Configuration

Monday 8 Jun 2015

3:50 PM

Touch here to go to the home screen.

Select either Auto or Manual Configuration. If manual is selected you will need to know the IP, Subnet Mask, Default Gateway, Primary DNS Server and Secondary DNS Server addresses if applicable

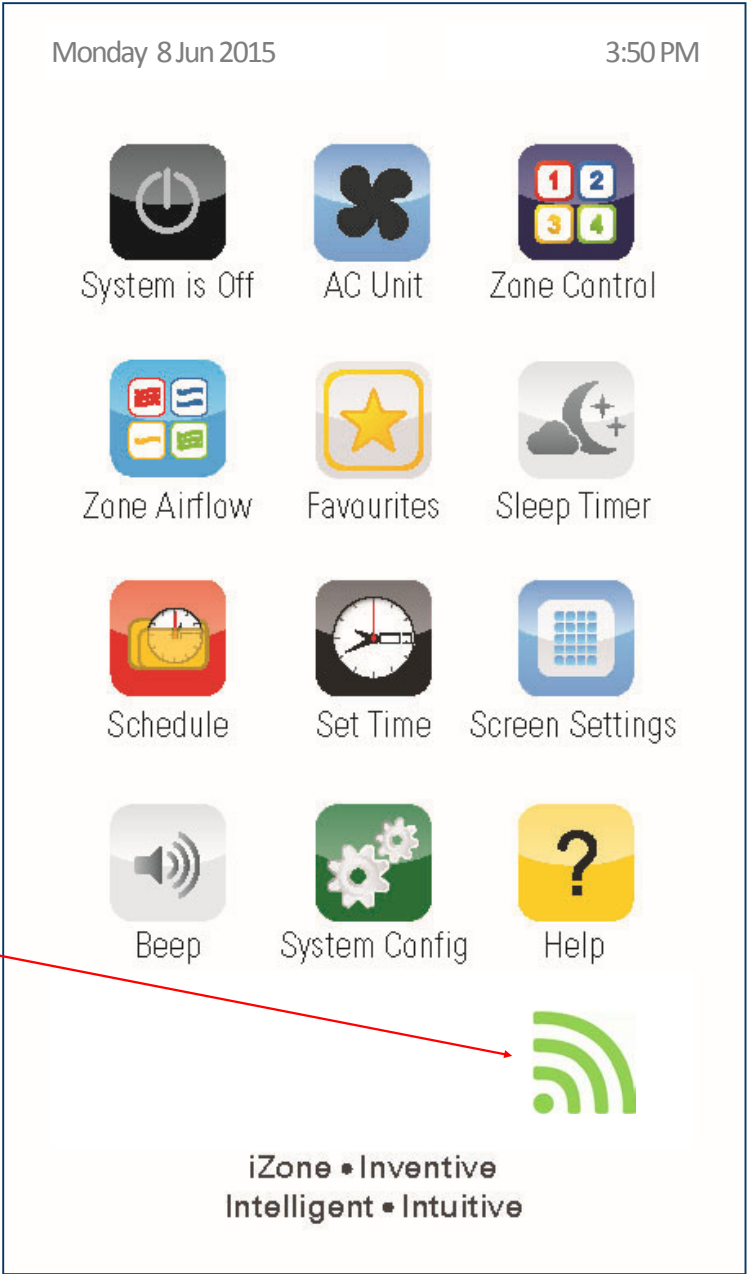
The screenshot shows the 'WiFi Configuration' screen with a green header. Below the header, there are two radio button options: 'Auto Configuration' (unselected) and 'Manual Configuration' (selected). Below these are five sections for manual configuration: 'IP Address', 'Subnet Mask', 'Default Gateway', 'Primary DNS Server', and 'Secondary DNS Server'. Each section has four input boxes, each containing the number '0'. At the bottom, there are three buttons: 'Apply', 'Previous', and 'Back'.

Touch here to apply the changes to the configuration

Touch here to go back without saving the changes.

iZone  
Inventive · Intelligent · Intuitive

# 3.5.2 WiFi connection



A green symbol indicates the iZone system is now connected to WiFi and ready to use

A grey symbol indicates the Bridge is connected to the iZone system but is not connected to the local computer network



# 3.5.3 Smart Phone, Tablet or PC configuration - System Requirements

## Smartphone, Tablet or PC

- You will need a smartphone or tablet or PC. The following platforms are supported: Apple, Android and Windows.

## System Requirements

### iOS SOFTWARE REQUIREMENTS

- Compatible with iPhone, iPod touch, and iPad. iOS 6.0 and higher.

### ANDROID SOFTWARE REQUIREMENTS

- Requires Android: 2.1 and higher.

### WINDOWS PHONE REQUIREMENTS

- Compatible with Windows Phone 8 and 8.1

### PC SOFTWARE REQUIREMENTS

- PC running Windows® XP SP3 or higher, Windows Vista™, Windows 7, Windows 8.
- Latest Windows service packs recommended.

## WiFi modem or network switch

- You will also need a compatible WiFi modem or network switch with a spare RJ 45 access port. Some WiFi modems, firewalls and security settings are not compatible with the iZone bridge and will need to be changed or replaced to enable the iZone app to run.

## Download the iZone App

- You will need an account with the manufacturer of your phone to enable you to download Apps from their respective store.
- Apple—Apple App Store
- Android—Google Play Store
- Windows—Microsoft Store
- Login to the respective store.
- To search for the iZone App type “iZone Controller” into the stores search menu.
- Select iZone Controller and download the iZone App.



# 3.5.3 Smart Phone, Tablet or PC configuration - Equipment Required and Configuration

## Equipment

- See 1.11 & 1.12 For details of equipment required and wiring diagram.

## Configuration

- Power up the WiFi Bridge
- Press the System Config button on the touchscreen
- Enter the system password “wamfud”



## Pair the wireless bridge to the iZone system

- Press and hold the blue button on the side of the Bridge. At the same time press the “Pair Wireless Device” button on the touchscreen



Pair Wireless Devices



- Wait a few seconds. Press the home button on the touch screen.
- The grey WiFi symbol should appear at the bottom of the home screen.



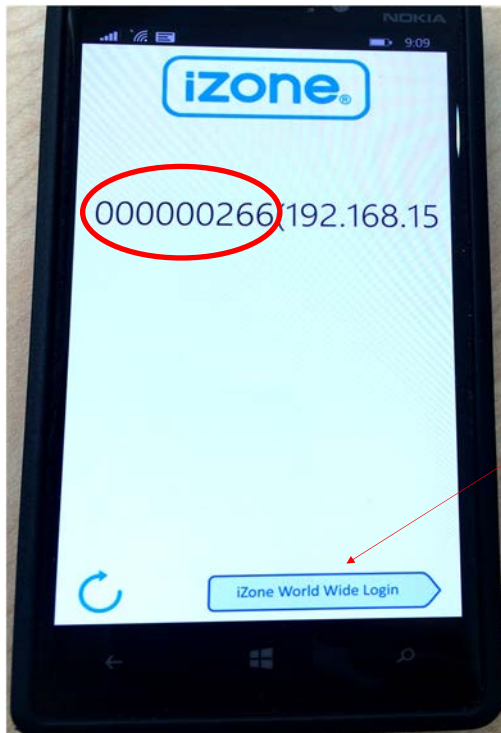
- Connect the RJ 45 cable from the Bridge to the modem / router. The symbol will change to 100% green.



## 3.5.3 Smart Phone, Tablet or PC configuration - Using your App

### Using your iZone App in your local WiFi area

- Press the iZone button on your phone or tablet.
- A nine digit number will appear on at the top of the screen. This is you system ID number. Write it down as you will need it to register on iZone World Wide for control of your system away from home. Press on the nine digit number and you will go into the App. Now you can name your system using the “Rename” button.



Do **NOT** press the iZone World Wide button unless you are registered for iZone world wide and you are outside your local WiFi area

### iZone World Wide Service

- You can only have access to the system from outside your local WiFi range after you have subscribed to iZone World Wide.
- To register on iZone World Wide Go to:  
<https://worldwide.izone.com.au/signup>
- Follow the prompts to subscribe. You will need the system ID number . This is a nine digit number.
- You will also be asked for an email address and password which you should remember as you will need these to access your system when you are trying to use the App from outside the WiFi range.
- When you login to iZone World Wide there is an option to save your username and password (Login and Remember Me). We recommend you select this option to make it faster and easier to login to your system remotely.
- To reduce the data usage there may be a slight delay between changing a setting on your phone, and the system updating, when using iZone World Wide.
- Do not use iZone World Wide when you are in your WiFi zone unless you have turned off the WiFi on your smart phone or tablet.

## 3.6 Home automation integration


iZone systems can be integrated into any home automation system that has an Ethernet interface. The WiFi bridge is fitted with an Ethernet connection .


For interface specifications please download a copy of Airstream's Technical Catalogue at

<http://www.izone.com.au>

Your home automation integrator will need to write suitable code to control your AC system. This service is not provided by Airstream or iZone.

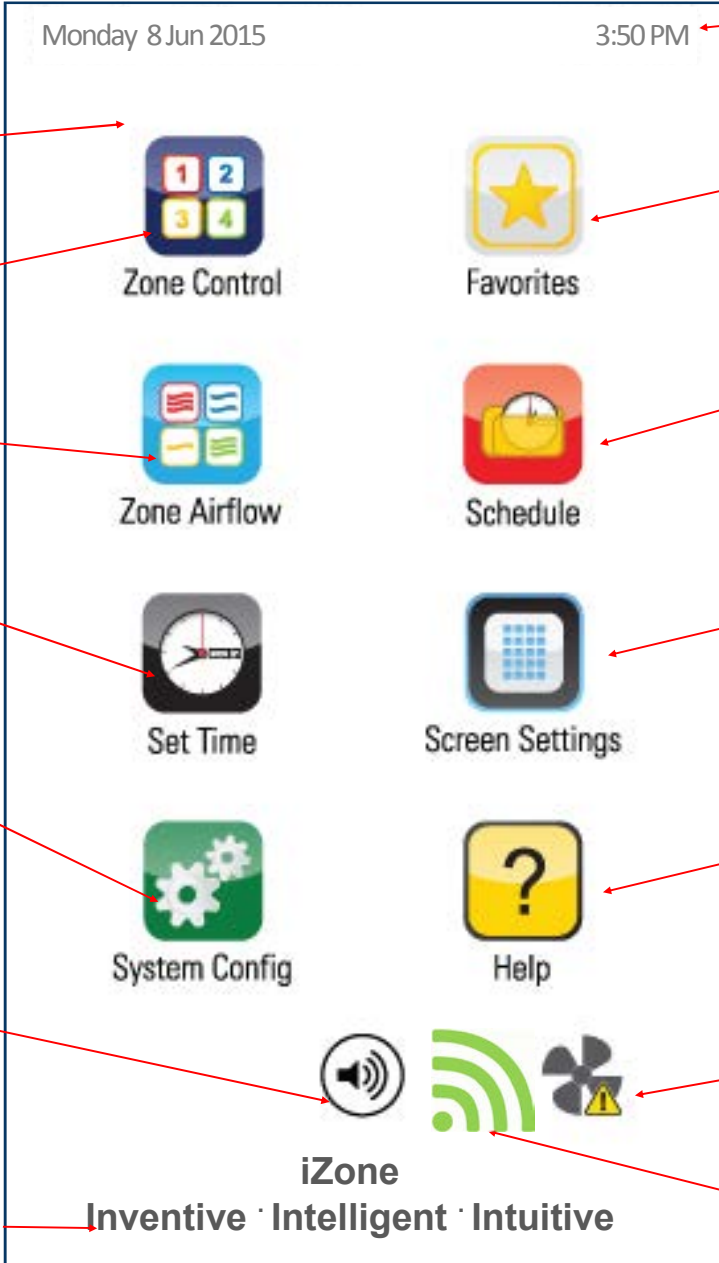
# 4.1 iZone 220 home screen

- To get back to the Home screen at any time press. 

- When entering names or values using the keyboard it is easier to use a thin object such as a toothpick. Do not use sharp, hard objects as they may damage the screen. The enter button must always be pressed to save the changes you have made. 

- Some functions may have been locked by your installer to ensure the commissioned values are not changed. To make changes to these values contact your installation company.

Installing company's tag line will vary depending on the installation company



Monday 8 Jun 2015 3:50 PM

System date and time

Home screen

Press to change zone status (4.4)

Zone Control

Press to activate a favourite mode or to configure a new favourite (4.9)

Favorites

Press to change zone airflow (4.7)

Zone Airflow

Press to activate a schedule or to configure a new schedule (4.11)

Schedule

Press to set system time (4.13)

Set Time

Press to change screen settings (4.14)

Screen Settings

Press to configure system (3.0)

System Config

Press to get more help about your iZone system

Help


Press to activate or deactivate this screens audio feed back (beep on touch)


A/C system maintenance required. Press here for instructions.

WiFi connection

iZone  
Inventive · Intelligent · Intuitive

# 4.2 iZone 320 home screen

- To get back to the Home screen at any time press. 

- When entering names or values using the keyboard it is easier to use a thin object such as a toothpick. Do not use sharp, hard objects as they may damage the screen. The enter button must always be pressed to save the changes you have made. 

- Some functions may have been locked by your installer to ensure the commissioned values are not changed. To make changes to these values contact your installation company.



Monday 8 Jun 2015 3:50 PM

System date and time.

Press to turn your system on or off. **System is Off**

Press to change zone status (4.4). **AC Unit**

Press to toggle sleep timer options. **Zone Control**

Press to change the A/C unit settings (4.3). **Zone Airflow**

Press to activate a favourite mode or to configure a new favourite (4.9). **Favourites**

Press to activate a schedule or to configure a new schedule (4.11). **Sleep Timer**

Press to change screen settings (4.14). **Schedule**

Press to set system time and date (4.13). **Set Time**

Press to change zone airflow (4.7). **Screen Settings**

Press to activate or deactivate this screens audio feed back (beep on touch). **Beep**

Press to activate iSave On (Only applicable if iSave has been fitted to the system) **System Config**

Press to configure the system (3.0). **isave is Off**

Press to configure the system (3.0). **Maintenance or fault message**

A/C system maintenance required or A/C unit fault code. Press to clear

Tag line this will vary depending on the installation company. **iZone • Inventive Intelligent • Intuitive**

WiFi connection 



## 4.3 AC unit control (iZone 320 only)

The screenshot shows the AC Unit Control interface. At the top, it displays the date and time: Monday 8 Jun 2015, 3:50 PM. The main title is "AC Unit Control" with a home icon. The current set point is 23.5°C. There are "Increase" and "Decrease" buttons with up and down arrows. Below these are "Cool" (with a snowflake icon) and "High" (with a bar chart icon) mode buttons. A "Master Control" button with a green checkmark is present. The "System Status" section shows "Normal 22.0 C". A "Back" button is at the bottom right. The footer reads "iZone • Inventive Intelligent • Intuitive".

Current AC unit set point.

Press here to change the mode.

Indicates the temperature measured by this panel is currently controlling the AC unit (Only applicable if systems configured for "AC unit controlling sensor—Master" option. (See 3.3).

Indicates the current status of the AC unit. If a fault code appears here please contact your installer.

Press here to increase the AC unit set point. (Not applicable if "AC unit controlling sensor—Zones" option selected. See 3.3).

Press here to decrease the AC unit set point (Not applicable if "AC unit controlling sensor—Zones" option selected. See 3.3).

Press here to change the fan speed.

AC unit actual temperature (RA, sensor or touch screen)

Press here to go back to the home page.

iZone • Inventive  
Intelligent • Intuitive

# 4.4 Zone control

Monday 8 Jun 2015 3:50 PM

**Zone Summary**

Zone 1		24.5°C
Living room		Closed
Dining room		23.5°C
Kitchen		Open
Master bedroom		22.5°C
John bedroom		23.0°C
Study		Closed
Hall		Const

Up Down Back

iZone  
Inventive · Intelligent · Intuitive

Indicates this zone is currently in climate control mode.

Indicates Zone 1 temperature set point. Press here to change the Set point. (4.6).

Zone Name. Press to edit zone name and other zone settings (4.5).

Indicates this zone is closed. Press here to open the zone.

Indicates this zone is currently fully open.

Indicates this zone is open. Press here to close the zone.

Indicates there could be a fault with this damper. Contact your installer.

Indicates this zone is currently closed.

Indicates this zone is currently being overridden by the system and is being used as a constant because too many zones are closed.

Indicates the hall is an electronic constant and it is currently active.

Press here to go back to the home page

Scroll up or down to see more zones.

# 4.5 Edit zone names & settings

The screenshot shows the iZone control interface for a Dining Room zone. At the top, it displays the date and time: Monday 8 Jun 2015, 3:50 PM. The main content area is divided into several sections:

- Current zone being edited:** Dining Room (indicated by a home icon)
- System zone number and display name:** Zone 3 Dining Room (with an edit icon)
- Current zone status:** Status Climate Control (with an edit icon)
- Zone maximum and minimum air flow set points:** Max Airflow 80% (with an edit icon) and Min Airflow 10% (with an edit icon)
- Room area (if Fan Auto function has been configured):** Room Area 16 sqm
- Status of this zone if it has been selected as an electronic constant:** Constant Zone Inactive

At the bottom, there are navigation buttons: Next, Previous, and Back. The iZone logo and tagline "Inventive · Intelligent · Intuitive" are displayed at the very bottom.

# 4.6 Adjusting temperature controlled zones

Monday 8 Jun 2015 3:50 PM

**Dining Room** [RF Signal] [Battery] [Home]

Indicates current zone being adjusted.

Indicates RF strength from sensor serving this zone is acceptable (only if RF sensor is installed.)

Indicates battery in the sensor serving this zone requires replacement. (only if RF sensor is installed)

**23.5°C**  
Setpoint

Increase [Up Arrow]

Decrease [Down Arrow]

Press here to increase the current zone set point temperature.

Press here to decrease the current zone set point temperature.

Open [Open Icon]

Close [Close Icon]

Press here to fully open this zone.

Press here to close this zone.

Climate [Climate Icon]

Master [Checkmark]

Press here to allow iZone to automatically control the temperature in this zone.

Press here to select this zone as the master (only available if configured for Master AC unit control).

**23.5°C** Actual Temp

**22.5°** In Duct Temp

Indicates the current temperature of the air inside the air conditioning system ductwork.

Indicates the actual temperature in this zone (as measured by iZone).

Next Previous Back

Press here to go back to the zone summary.

Scroll up or down to see more zones.

iZone  
Inventive · Intelligent · Intuitive

# 4.7 Zone airflow summary

The screenshot displays the 'Zone Airflow' control interface. At the top, it shows the date 'Monday 8 Jun 2015' and the time '3:50 PM'. The title 'Zone Airflow' is centered at the top. Below the title, there is a list of zones, each with a name and two percentage settings: 'MIN' (minimum) and 'MAX' (maximum). The zones listed are Zone 1, Living room, Dining room, Kitchen, Master bedroom, John bedroom, Study, and Hall. The 'MIN' and 'MAX' settings are shown as percentages. At the bottom of the screen, there are three navigation buttons: 'Up' (with an upward arrow), 'Down' (with a downward arrow), and 'Back' (with a circular arrow). Below the navigation buttons, the text 'iZone Inventive · Intelligent · Intuitive' is displayed.

Zone Name	MIN (%)	MAX (%)
Zone 1	10%	80%
Living room	30%	90%
Dining room	10%	80%
Kitchen	10%	80%
Master bedroom	10%	80%
John bedroom	10%	80%
Study	10%	80%
Hall	10%	80%

Monday 8 Jun 2015 3:50 PM

Zone Airflow

Zone name.

Indicates current minimum air flow setting to this zone.

Indicates current maximum air flow setting to this zone.

Press here to change the zone air flow settings.

Scroll up or down to see more zones.

Up Down Back

iZone  
Inventive · Intelligent · Intuitive

# 4.8 Changing zone airflows

Please note: It is possible to lock the maximum and minimum airflow settings in the configuration menus. If your screen does not display as indicated here and you require to make changes to airflows please contact your installer to activate your display.

Monday 8 Jun 2015 3:50 PM

Living Room

90% Max Airflow

30% Min Airflow

Next Previous Back

iZone  
Inventive · Intelligent · Intuitive

Indicates current zone that you are changing the airflow to.

Press here to increase the maximum airflow to this zone.

Press here to decrease the maximum airflow to this zone.

Indicates the current maximum airflow setting for this zone.

Indicates the current minimum airflow setting for this zone.  
(This is usually set at 0%).  
Min Airflow will not display if this adjustment has been locked.

Press here to increase the minimum airflow to this zone.

Press here to decrease the minimum airflow to this zone.

Press here to go back to the airflow summary.

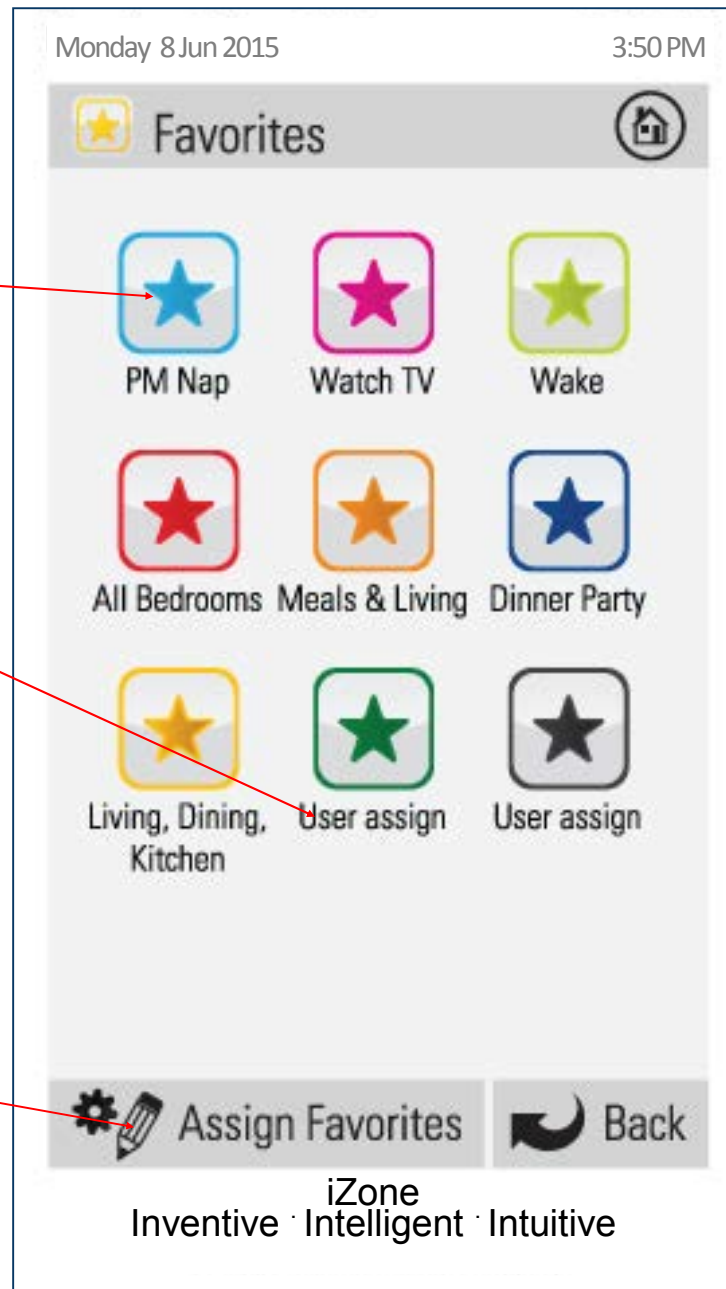
Scroll up or down to see more zones.

# 4.9 Favourites

Press the favourite you would like and iZone will automatically change all the zones settings for this favourite.

Indicates this favourite has not been used.

Press here to setup and edit favourites



## 4.10 Assigning and editing favourites

Monday 8 Jun 2015 3:50 PM

PM Nap

PM Nap

Zone 1		24.0°C
Living room		Closed
Dining room		Closed
Kitchen		Closed
Master bedroom		24.0°C
John bedroom		24.0°C
Study		Closed

Up Down Back

iZone  
Inventive · Intelligent · Intuitive

Indicates current favourite being changed.

Zone names.

Press here to change the name of this favourite.

Indicates what mode you want each zone to operate in when this favourite is used. Change each zone setting to suit your requirements for this favourite.

If you require a different temperature to that indicated, go to your zone and change it first

Press here to go back to the favourites summary. Pressing the back button will save the favourite setting selected.

Scroll up or down to see more zones.



# 4.11 Schedules

Any of your favourites can be set to automatically start at any time of your choosing. Press here to enable the time based schedule for favourite (PM Nap).

Indicates an automatic time schedule has been enabled for this favourite.

Indicates no automatic time schedule has been enabled for this favourite.

Press here to set up or edit a schedule on any favourite



# 4.12 Setting and editing a schedule

Monday 8 Jun 2015 3:50 PM

**PM Nap**

24Hr Time Format

START-08:00

STOP-17:30

Mon Tue Wed Thu Fri **Sat** Sun

Delete this schedule

1 2 3 4 5 6 7 8 9 0

Q W E R T Y U I O P

A S D F G H J K L

Z X C V B N M , . /

Space

**Next** **Previous** **Back**

iZone  
Inventive · Intelligent · Intuitive

Indicates current schedule that you are changing or setting.

Indicates the start time for this schedule.

Indicates the stop time for this schedule.

Indicates the days this schedule will apply. Press to stop the schedule running on this day.

Press here to clear this schedule.

Indicates the days this schedule will not run. Press the day you want the schedule to apply to.

Press the key pad to change the time. Remember it is in 24 hour format so for 2:30 am type in 0230.

Press the enter button to save your new setting.

Press here to go back to the schedule summary.

Press next to see the next schedule.

# 4.13 Setting the time

The screenshot shows the 'Set Time' application interface. At the top, the status bar displays 'Monday 8 Jun 2015' and '3:50 PM'. The app title 'Set Time' is centered at the top of the screen. Below the title, the text '24Hr Time Format' is displayed. The current time '12:30' is shown in large digits, with the minutes '30' highlighted in a black box. Below the time, the current date '01 / 01 / 2011' is displayed, with the label 'Date / Month / Year' underneath. A numeric keypad is visible below the date, with letters overlaid on the numbers. The keypad includes a back arrow on the right side of the top row. At the bottom of the screen, there is a 'Back' button with a circular arrow icon. The iZone logo and tagline 'Inventive · Intelligent · Intuitive' are at the very bottom.

Monday 8 Jun 2015 3:50 PM

Set Time

24Hr Time Format

12:30

01 / 01 / 2011  
Date / Month / Year

1 2 3 4 5 6 7 8 9 0  
Q W E R T Y U I O P  
A S D F G H J K L  
Z X C V B N M , . /  
← ↑ Space →

Back

iZone  
Inventive · Intelligent · Intuitive

Current time.

Current date.

Indicates the minutes are be changed.

Press the left or right arrows to move to the value you want to change.

You must press the enter button to save the changes you have made.

## 4.14 Changing the home screen colour

Monday 8 Jun 2015 3:50 PM

**Screen Settings**

**Screen Adjustments**

Brightness

Contrast

Saturation

**Background Select**

Back

iZone  
Inventive · Intelligent · Intuitive

Slide left / right to adjust the screen brightness.

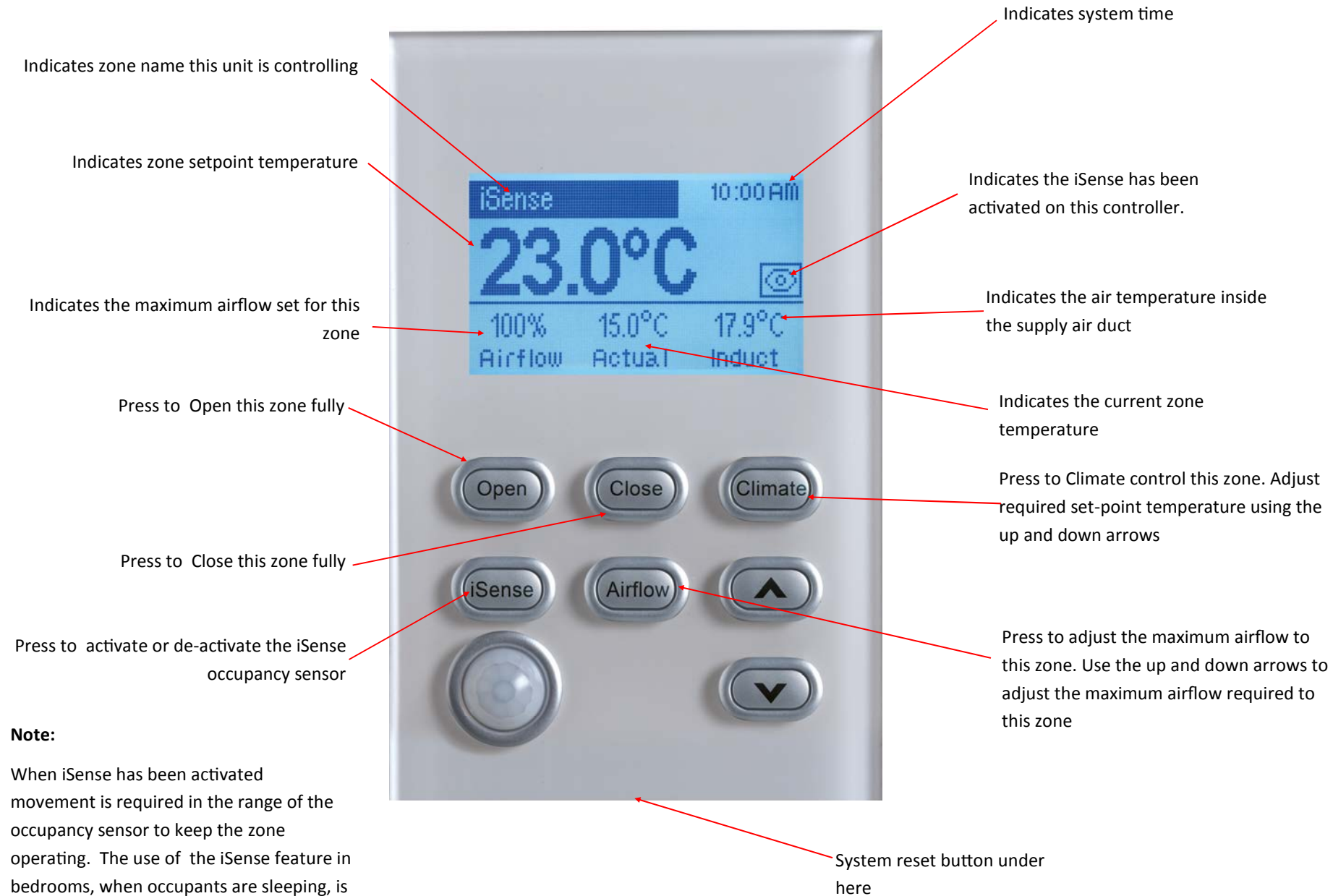
Slide left / right to adjust the screen saturation.

Slide left / right to adjust the screen contrast.

Press the colour you would like for your home screen. Fine adjustments to the shade, tone, hue can be made using the brightness, contrast and saturation slides.

Press here to go back to the home screen.

# 4.15 iSense controller



**Note:**  
When iSense has been activated movement is required in the range of the occupancy sensor to keep the zone operating. The use of the iSense feature in bedrooms, when occupants are sleeping, is not recommended.

## 4.16 Warranty registration

Your system is supplied with a standard 2 year warranty.

To extend your warranty you are required to complete this warranty registration form and email, fax or post it to Airstream along with a copy of your invoice. For terms and conditions please see Airstream's warranty policy at [www.air-stream.com.au](http://www.air-stream.com.au)

Full Name:

Contact Phone number including area code:

Email address :

iZone System ID number (if applicable):

If you have more than one iZone system, please include additional registration forms.

Address where the system is installed:

Date of purchase:   /   /

Installation Company:

Proof of Purchase attached:   
Yes / No

Signature

Date

Post, fax or email your registration to :

**Airstream Components**

**9 Geelong Court, Bibra Lake,**

**WA 6163**

**Fax: 08 9494 1346**

**Email: [info@air-stream.com.au](mailto:info@air-stream.com.au)**

# 4.17 Airstream product warranty policy

This document sets out the warranties that are provided by Airstream Components WA Pty Ltd ACN 146 196 778 (“**Airstream**”) in relation to each Product.

## Definitions

In this document:

“**Australian Consumer Law**” means the law set out in Schedule 2 of the *Competition and Consumer Act 2010* (Cth) and any corresponding provisions of state or territory fair trading legislation.

“**Customer**” means the party that acquired the Product from Airstream for that party’s use or, if the party who acquired the Product from Airstream was an authorised distributor, reseller or dealer, the party who acquired the Product from the distributor, reseller or dealer.

“**iZone Tablet**” means the product known as the “iZone Tablet”.

“**Product**” means:

- an iZone Tablet; or
- other product manufactured by or for Airstream.

“**Site**” means the place at which the Product is located.

“**Third Party Goods**” means a product (including batteries) or item of equipment manufactured by a third party which is supplied with, or fitted to, a Product.

“**Warranty**” has the meaning given in clause 2.1.

“**Warranty Claim Form**” means the warranty claim form available on the Website.

“**Warranty Period**” means:

- for an iZone Tablet, one (1) year;
- for a Product (excluding an iZone Tablet) that has not been registered in accordance with clause 3, two (2) years; or
- for a Product (excluding an iZone Tablet) that has been registered in accordance with clause 3, eight (8) years,

from the date of purchase by the Customer.

“**Website**” means the Airstream website at www.air-stream.com.au.

## Warranty

Subject to clauses 4 and 5, Airstream expressly warrants that each Product is free from operational defects in workmanship and materials for the Warranty Period (“**Warranty**”).

The benefits of the Warranty are in addition to all other rights and remedies which the Customer may have under Australian Consumer Law and any other law in relation to the Product to which the Warranty relates.

Each Product comes with guarantees that cannot be excluded under Australian Consumer Law.

## Extended Warranty

In order to receive an extended eight (8) year Warranty for a Product (“**Extended Warranty**”) the Customer must register the Product by completing, and providing to Airstream, the registration form supplied in the

Product user manual or downloaded from the Website (“**Registration**”).

Registration must be completed within sixty (60) days of the Product being purchased by the Customer.

## Exclusions to Warranty

The Warranty does not cover Third Party Goods.

Subject to any statutory provisions to the contrary, the Warranty does not extend to cover damage to furniture, carpets, walls, ceilings, foundations, vehicles, or any other consequential loss arising either directly or indirectly due to the malfunction of the Product.

If a third party installer knowingly installs a defective Product, the Warranty will be strictly limited to the resupply of that Product and shall not include any labour costs.

## Repair or Replace

During the Warranty Period, Airstream will, subject to clause 6, replace or repair any defective Product or defective component of a Product without, subject to clause 8, charge provided that the defect does not constitute damage that has arisen from:

- faulty, improper, incorrect or incomplete adjustment, operation or installation of the Product;
- any modification of the Product, without the written approval of Airstream, including tampering with or any attempt to disassemble the Product;
- inadequate or improper maintenance of the Product;
- misuse or abuse;
- normal wear and tear;
- failure for any reason to follow the instructions for use given in any user manual applicable to the Product;
- act of God;
- fire, flood, collision or other trauma; or
- insects or animals.

## Warranty Claim Procedure

To obtain the benefit of the Warranty the Customer must:

contact Airstream within the Warranty Period or within seven (7) days of the discovery of the defect, whichever is the earlier;

complete and send to Airstream the Warranty Claim Form accompanied by proof of purchase of the Product.

On receipt of the Warranty Claim Form and proof of purchase of the Product, Airstream will contact the Customer to determine the extent of the issue or defect with the Product.

If there is an issue or defect with the Product that is covered by the Warranty then Airstream will at its sole option:

- require the Customer, at the Customer’s expense, to have the defective Product, or defective component part, delivered to Airstream; or

provided the Site is located in the Perth metropolitan area, send an Airstream service technician to the Site to effect repairs to or replacement of the Product, save that the reasonable travel expenses (including travelling time) of the technician must be paid by the Customer.

In order to complete repairs or replacement of a Product in accordance with clause 6.3(b), Airstream requires safe and ready access to the Site and each Product including where required via scaffolding and access panels. If Airstream considers access to the Site or Product to be unsafe or not readily available, Airstream will not commence or will cease all work to repair or replace the Product. All costs incurred in the obtaining of safe and ready access to the Site and Product shall be payable by the Customer.

Any services requested by the Customer outside of the scope of the Warranty will be charged to the Customer in accordance with the following schedule of charges (“**Charges**”):

Description	Charges
Call out fee plus first hour on Site	\$165.00 plus GST
Hourly labour rate after first hour on Site	\$100.00 plus GST
Replacement parts for Product and deliveries	As per Airstream’s current price list

The Charges are subject to variation by Airstream from time to time.

Airstream will replace, or conduct repairs to, a Product as soon as practicable but will not be liable for any loss or damage caused by any delay.

## Assignment

The Customer may not assign or otherwise transfer the Warranty.

Airstream may at its sole discretion transfer or assign the Warranty.

## Transportation Costs and Risk During Transit

All transportation charges incurred in returning a defective Product, or any defective component parts of a Product, to Airstream for repair or inspection, and the cost of returning them to the Customer must be paid by the Customer.

The Customer assumes the risk of, and shall be responsible for, any loss of or damage to any Product during transit. For this reason, Airstream recommends that the Customer take out shipment/postage insurance.

## Third Party Warranties

Third Party Goods may be covered by independent manufacturer warranties. It is the Customer’s responsibility to familiarize itself, himself or herself with these warranties. No additional warranty is provided by Airstream for Third Party Goods.

## 4.18 Further assistance

1. If you require warranty or maintenance on your air conditioning system or iZone system you should contact your installation company.
2. If you want to add more zones or temperature control to any zone you should contact your installation company.
3. If you require assistance from the manufacturer contact:

Airstream Components  
9 Geelong Court  
Bibra Lake  
Western Australia 6163

Email: [info@air-stream.com.au](mailto:info@air-stream.com.au)  
Phone: +61 8 9418 6631  
[www.air-stream.com.au](http://www.air-stream.com.au)  
[www.izone.com.au](http://www.izone.com.au)

